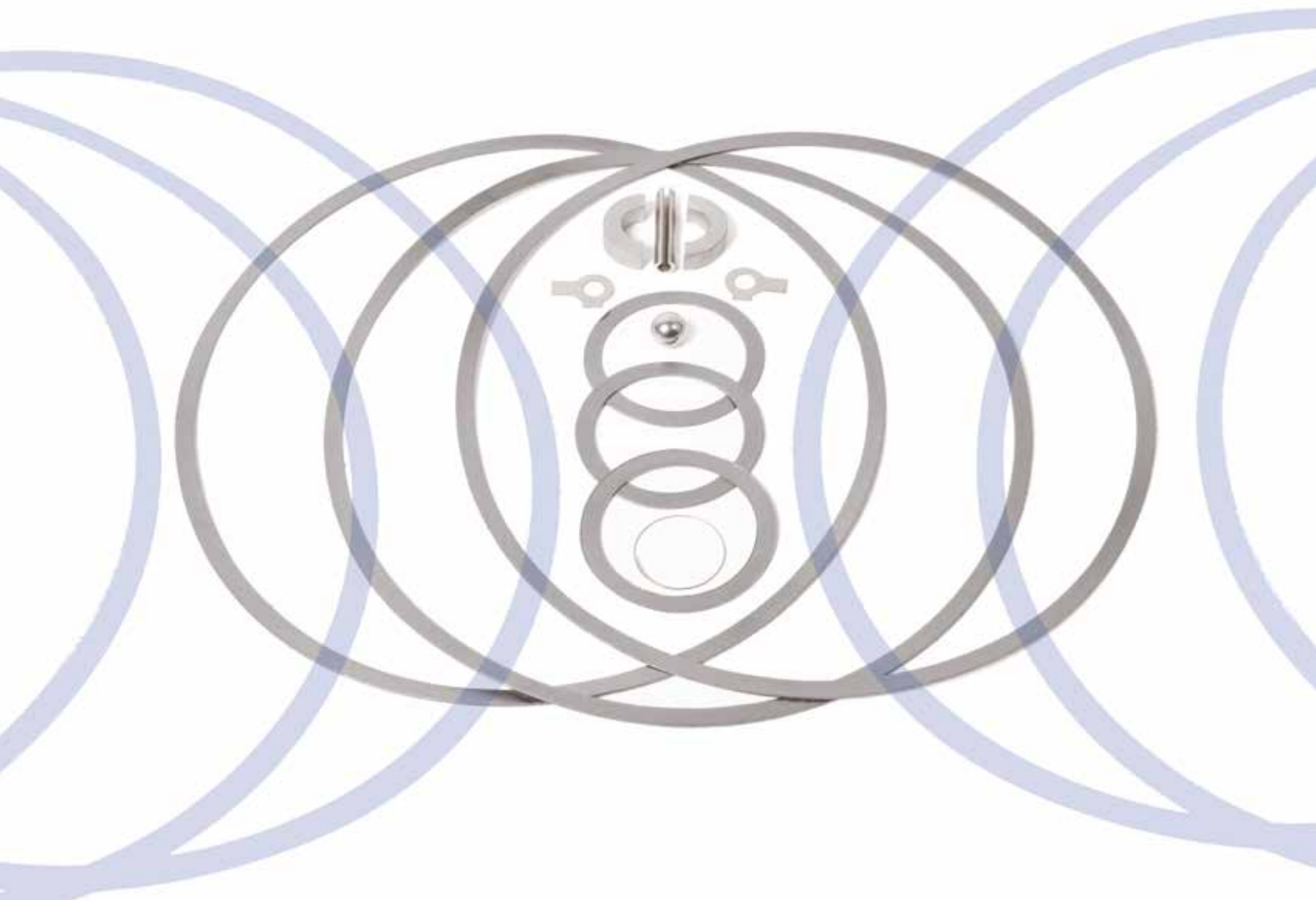


Spare Parts Kits

Maintenance Support



LESER

The-Safety-Valve.com

LESER Spare Parts Kits – General Information

The of Challenge of Spare Parts Management

How can the handling and logistics of spare parts for the maintenance of a safety valve be optimized?

Do you always know exactly which replacement parts are required for the maintenance and where a certain spare part is installed?

How can the ordering process, warehousing and logistics for many items be handled easily and efficiently?

Get to know the LESER Spare Parts Kits.

LESER Spare Parts Kits

- The LESER Spare Parts Kits contain all the parts recommended for the regular maintenance of a LESER safety valve
- All spare parts are individually packaged and clearly identified
- The Spare Parts Kits include instructions for identifying and allocating the individual parts
- Detailed maintenance instructions for all LESER product groups and safety valve types are described in the Maintenance Handbook with photo documentation and are available at www.leser.com
- The Spare Parts Kits can be ordered with one article number
- The Spare Parts Kits are available within 72 hours ex works Hohenwestedt/Germany or in even less time from one of our many stocks worldwide



Spare Parts Kits are available for the following safety valves:

API	High Efficiency	High Performance	Compact Performance	Modulate Action
Type 526	Type 811	Type 441, 442 DIN	Type 459	Type 431, 433 Available Summer 2014
	Type 821	Type 441, 442 ANSI	Type 462, 462 HDD	
		Type 441, 442 DIN Full nozzle		
		Type 441, 442 ANSI Full nozzle		

Easy maintenance handling

- 1 Instructions for identifying and allocating the individual parts
- 2 Sturdy external packaging with hanger for space-saving storage
- 3 Protection against dust and moisture in every climatic condition thanks to the insert bag
- 4 Parts individually removable thanks to the pressure lock
- 5 Easy identification of individual parts



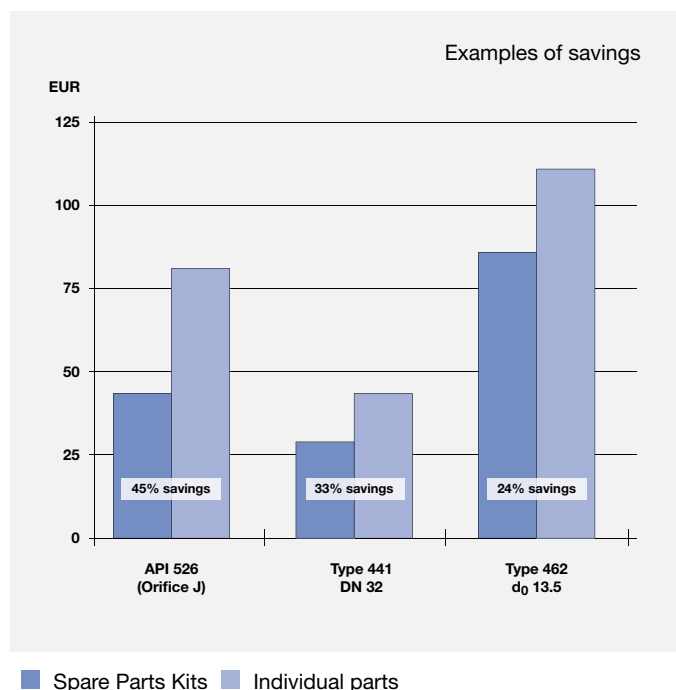
Our references

- LESER Spare Parts Kits are successful worldwide
- Every eighth API valve is supplied with a Spare Parts Kit
- Every fourth Pilot Operated Safety Valve (POSV) is ordered with a Spare Parts Kit

Benefits

- Clearer: The Spare Parts Kit provides all the spare parts recommended by LESER to be replaced during the regular maintenance of a safety valve. It minimizes the risk of ordering wrong parts.
- Better: Easy maintenance through the clear labelling of parts. The Spare Parts Kit reduces the variety of parts at stock.
- Easier: One article number reduces the effort and time of ordering
- Cost effective: Kits are less expensive than the sum of the individual parts
- Rapid availability: The Spare Parts Kits are available within 72 hours ex works Hohenwestedt/Germany or in even less time from one of our many stocks worldwide

LESER Spare Parts Kits: A picture-perfect solution for maintenance handling from LESER.



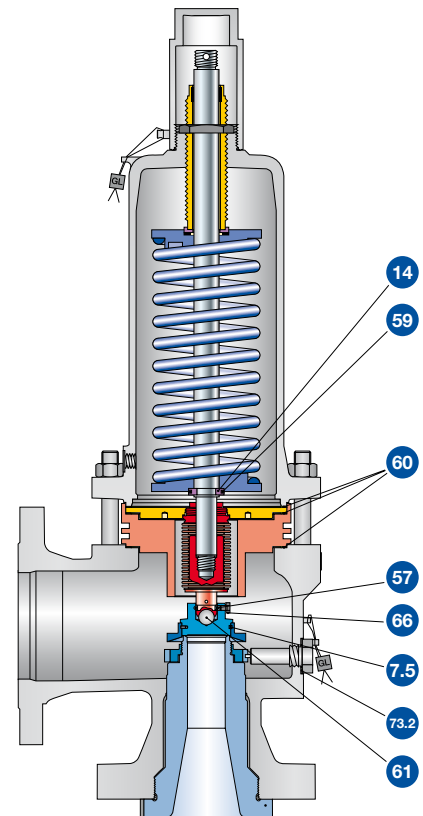
API

The API Spare Parts Kits are organised by orifice letter:

Orifice	Flange Class
D – G	CL150 – CL2500
H – L	CL150 – CL1500
M – P	CL150 – CL900
Q – R	CL150 – CL600
T	CL150 – CL300

Contents

Item	Component	Material	Quantity
7.5	Securing ring (Disc)	1.4571 316Ti	1
14	Split ring	1.4404 316L	2
57	Ball	1.4401 316	15
59	Securing ring	1.4571 316Ti	1
60	Gasket	Graphite / 1.4401 Graphite / 316	3
61	Ball	1.4401 316	1
66	Screw	1.4401 316	1
73.2	Gasket (Lock screw)	1.4401 316	1



Article numbers

Orifice	Inlet flange rating class of the safety valve					
	CL150	CL300L	CL300	CL600	CL900	CL1500
D	5012.1101			5012.1102		
E	5012.1101			5012.1102		
F	5012.1103					
G	5012.1104			5012.1121		
H	5012.1105	5012.1106				
J	5012.1107	5012.1108				
K	5012.1109			5012.1110		
L	5012.1111	5012.1112				
M	5012.1113					
N	5012.1114					
P	5012.1115	5012.1116				
Q	5012.1117					
R	5012.1118	5012.1119				
T	5012.1120					



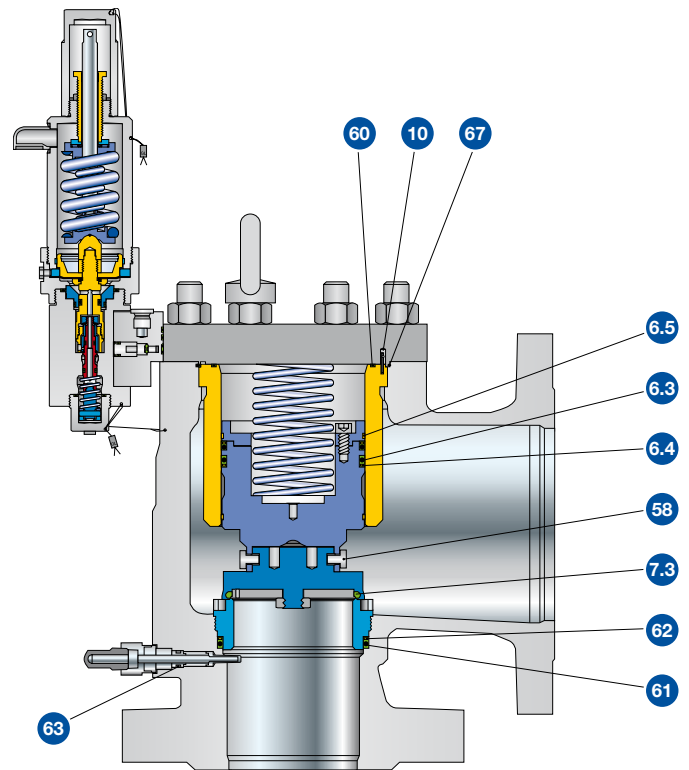
High Efficiency – Main Valve

The Spare Parts Kits for Pilot Operated Safety Valves (POSV) are separately available for the main valve and the pilot valve for all valve sizes.

Valve size	1" x 2" to 8" x 10"
Orifice	D – T
Flange class	CL150 – CL600
O-ring material	FKM / EPDM / FFKM

Contents – Main valve

Item	Component	Material	Quantity
	Lubricant	Molykote D	1
	Lubricant oil	Halocarbon oil 5 6S	1
6.3, 7.3, 60, 61, 63, 67	O-ring	FKM / EPDM / FFKM	6
6.4	Backup ring	PTFE	1
6.5	Guide ring	PTFE-carbon filler	2
10	Parallel pin	1.4310 Stainless steel	1
58	Screw	1.4310 Stainless steel	2
62	Backup ring	PTFE	1



Article numbers – Main valve

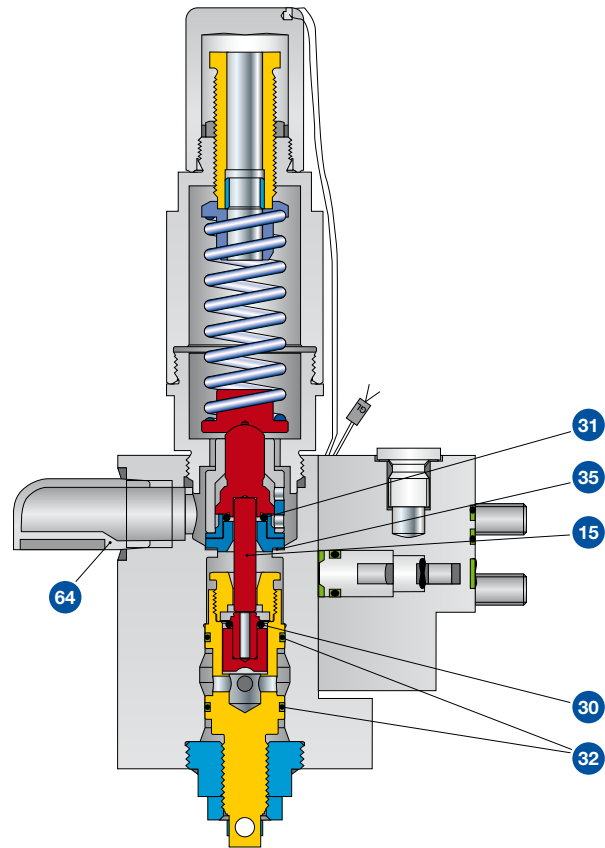
Valve size	1" x 2"	1 1/2" x 2"	1 1/2" x 3"	2" x 3"	3" x 4"	4" x 6"	6" x 8"	8" x 10"	
Soft sealing FKM									
Art. No.	5012.	1130	1131	1132	1133	1134	1135	1136	1137
Soft sealing EPDM									
Art. No.	5012.	1138	1139	1140	1141	1142	1143	1144	1145
Soft sealing FFKM									
Art. No.	5012.	1146	1147	1148	1149	1150	1151	1152	1153



High Efficiency – Type 811 Pop Action – Pilot Valve

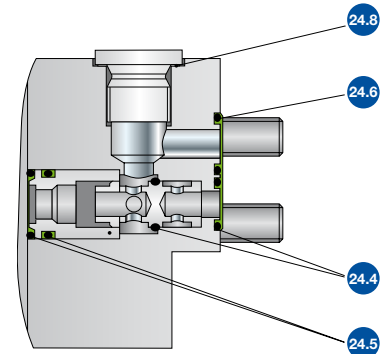
Contents – Type 811 Pop Action

Item	Component	Material	Quantity
	Lubricant	Molykote D	1
	Lubricant oil	Halocarbon oil 56S	1
64	Bug screen	Plastic	1
15	Plunger	1.4404 / 316L	1
6, 7, 8	O-ring Field test connection	FKM / EPDM / FFKM	3
24.4, 24.5, 24.6	O-ring Manifold block	FKM / EPDM / FFKM	7
30, 31, 32	O-ring	FKM / EPDM / FFKM	4
24.8	Gasket	1.4401 / 316	2
35	Gasket	PTFE	1
48	Screen	1.4404 / 316L	1
49	Support ring	Plastic	1



Article numbers – Type 811 Pop Action

	Valve size	1" x 2" to 8" x 10"	
	Orifice	D – T	
Soft sealing FKM	Art. No.		
Pilot 2.5 – 102 bar / 36 – 1480 psig	5012.	1163	
Soft sealing EPDM			
Pilot 2.5 – 102 bar / 36 – 1480 psig	5012.	1164	
Soft sealing FFKM			
Pilot 2.5 – 102 bar / 36 – 1480 psig	5012.	1165	



Manifold block



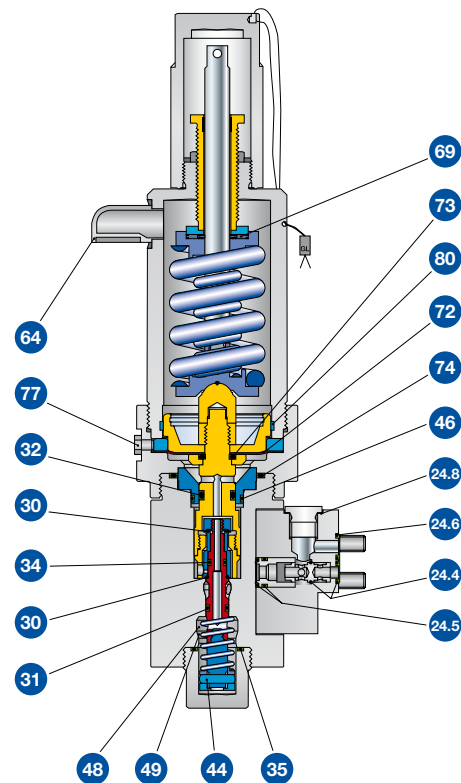
High Efficiency – Type 821 Modulate Action – Pilot Valve

Contents – Type 821 Modulate Action

Item	Component	Material	Diaphragm design	Piston design
			Quantity	Quantity
	Lubricant	Molykote D	1	1
	Lubricant oil	Halocarbon oil 56S	1	1
64	Bug screen	Plastic	1	1
6, 7, 8	O-ring Field test connection	FKM / EPDM / FFKM	3	3
24.4, 24.5, 24.6	O-ring Manifold block	FKM / EPDM / FFKM	7	7
24.8	Gasket	1.4401 / 316	2	2
30, 31, 32, 34, 35, 46	O-ring	FKM / EPDM / FFKM	7	7
44	Parallel pin	Stainless steel	1	1
48	Screen (high pressure application)	1.4404 / 316L	1	1
49	Support ring	Plastic	1	1
69	Bearing	1.4122 / Stainless steel	1	1
72	Diaphragm	FKM / EPDM / PTFE-FKM	1	–
73, 74	O-ring	FKM / EPDM / FFKM	2	–
77	Lock screw	1.4401 / Stainless steel	1	–
80	Guide ring	1.4404 / 316L	1	–

Article numbers – Type 812 Modulate Action

	Valve size	1" x 2" to 8" x 10"	
	Orifice	D – T	
Soft sealing FKM	Art. No.		
Diaphragm design 2.5 – 30 bar / 36 – 435 psig	5012.	1157	
Piston design 30.01 – 102 bar / > 435 – 1480 psig	5012.	1160	
Soft sealing EPDM			
Diaphragm design 2.5 – 30 bar / 36 – 435 psig	5012.	1158	
Piston design 30.01 – 102 bar / > 435 – 1480 psig	5012.	1161	
Soft sealing FFKM			
Diaphragm design 2.5 – 30 bar / 36 – 435 psig	5012.	1159	
Piston design 30.01 – 102 bar / > 435 – 1480 psig	5012.	1162	

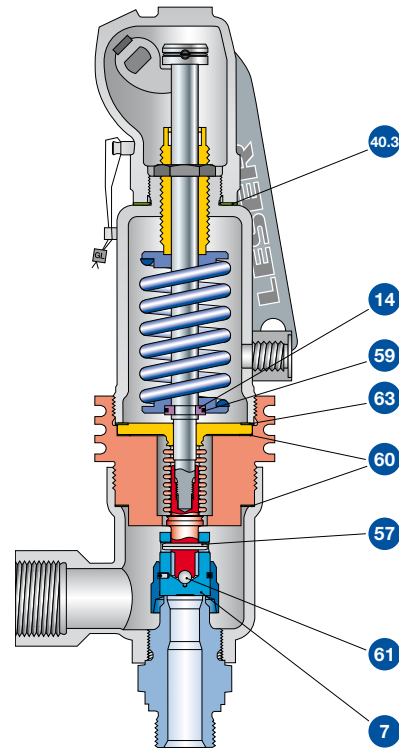


Compact Performance – Type 459

Contents

Item	Component	Material	Quantity
7	Disc	1.4404 316L	1
14	Split ring	1.4404 316L	2
57	Pin	1.4310 Stainless steel	1
59	Securing ring (split ring)	1.4571 316Ti	1
60	Gasket	Graphite / 1.4401 Graphite / 316	2
63	Gasket	Graphite / 1.4401 Graphite / 316	1
61	Ball	1.4401 316	1
40.3	Spacer	1.4571 316Ti	3

The Compact Performance Spare Parts Kits are the only ones equipped with a new disc. For discs size d_0 17.5 mm and smaller, LESER recommends to exchange the entire disc. The manual relapping of such small discs is uneconomical and requires high effort.



Article numbers

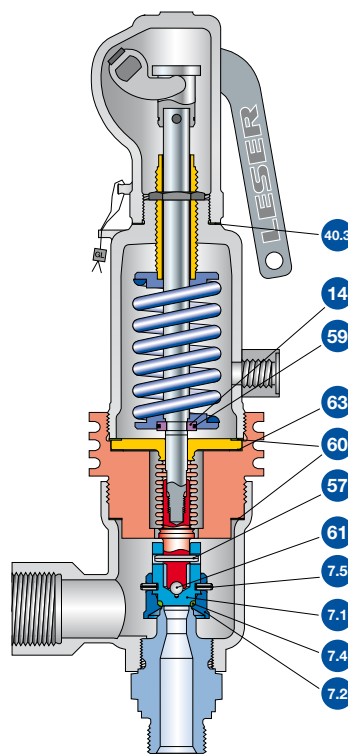
d_0	6	9	13	17.5	
Art. No.					
Type 459	5012	-	1230	1231	1232



Compact Performance – Type 462, 462 HDD

Contents

Item	Component	Material	Quantity
7.1	O-ring disc body	1.4404 316L	1
7.2	Lifting aid	1.4404 316L	1
7.4	O-ring	FKM (70/75 Shore A)	1
7.4	O-ring	FKM (90 Shore A)	1
7.4	O-ring	EPDM (70 Shore A)	1
7.5	Pin	1.4310 Stainless steel	2
14	Split ring	1.4404 316L	2
59	Securing ring (split ring)	1.4571 316Ti	1
57	Pin	1.4310 Stainless steel	1
61	Ball	1.4401 316	1
60	Gasket	Graphite / 1.4401 Graphite / 316	2
63	Gasket	Graphite / 1.4401 Graphite / 316	1
40.3	Spacer	1.4571 316Ti	3



The Compact Performance Type 462 Spare Parts Kits are equipped with three O-rings in the two most commonly used materials – FKM and EPDM – with different shore hardness. The correct O-ring should be selected depending on the set pressure.

Article numbers

	d ₀	6	9	13	17.5
Art. No.					
Type 462	5012.	-	1233	1234	1235
Type 462 HDD					



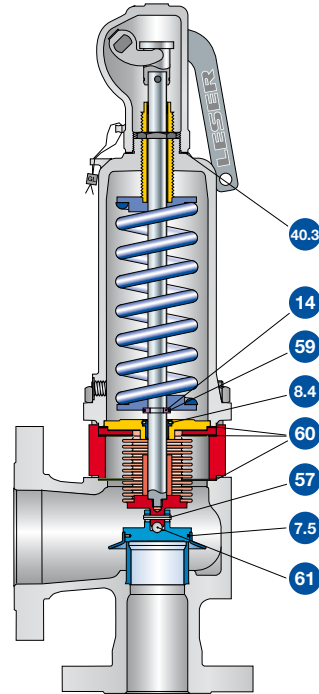
High Performance

Spare Parts Kits are available for nominal sizes from DN 20 to DN 200 of the following types:

- Type 441, 442 DIN
- Type 441, 442 ANSI
- Type 441, 442 DIN Full nozzle
- Type 441, 442 ANSI Full nozzle

Contents

Item	Component	Material	Quantity
7.5	Securing ring (Disc)	1.4571 316Ti	1
8.4	Securing ring (Guide)	1.4571 316Ti	1
14	Split ring	1.4404 316L	2
40.3	Spacer	1.4571 316Ti	3
57	Pin	1.4310 Stainless steel	1
59	Securing ring (Split ring)	1.4571 316Ti	1
60	Gasket	Graphite / 1.4401 Graphite / 316	3
61	Ball	1.4401 316	1
1.9	O-ring (Lifting device H4)	FKM	1



Article numbers

DN	20	25	32	40	50	65	80	100	125	150	200
Valve size	-	1" x 2"	1 1/2" x 2"	1 1/2" x 2 1/2"	2" x 3"	3" x 4"	-	4" x 6"	-	-	-
Art. No. 5012.	1201	1202	1203	1204	1205	1206	1207	1208	1209	1210	1211



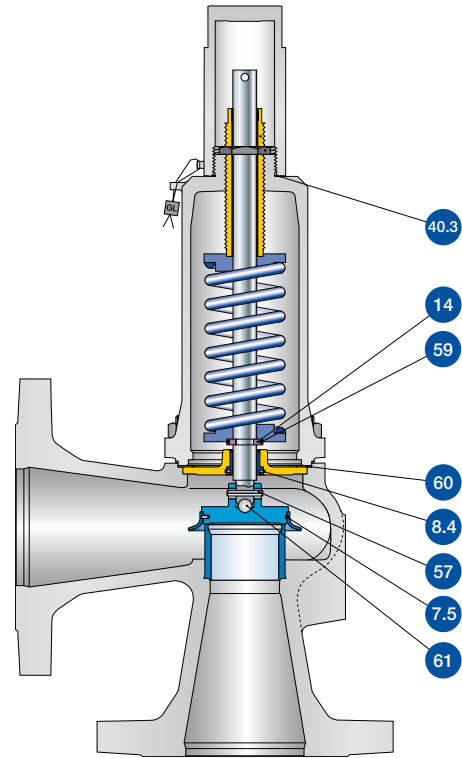
Modulate Action

Spare Parts Kits are available for nominal sizes from DN 15 to DN 150 of the following types:

- Type 427
- Type 429
- Type 431
- Type 433

Contents

Item	Component	Material	Quantity
7.5	Securing ring (Disc)	1.4571 316Ti	1
8.4	Securing ring (Guide)	1.4571 316Ti	1
14	Split ring	1.4404 316L	2
40.3	Spacer	1.4571 316Ti	3
57	Pin	1.4310 Stainless steel	1
59	Securing ring (Split ring)	1.4571 316Ti	1
60	Gasket	Graphite / 1.4401 Graphite / 316	3
61	Ball	1.4401 316	1
1.9	O-ring (Lifting device H4)	FKM	1

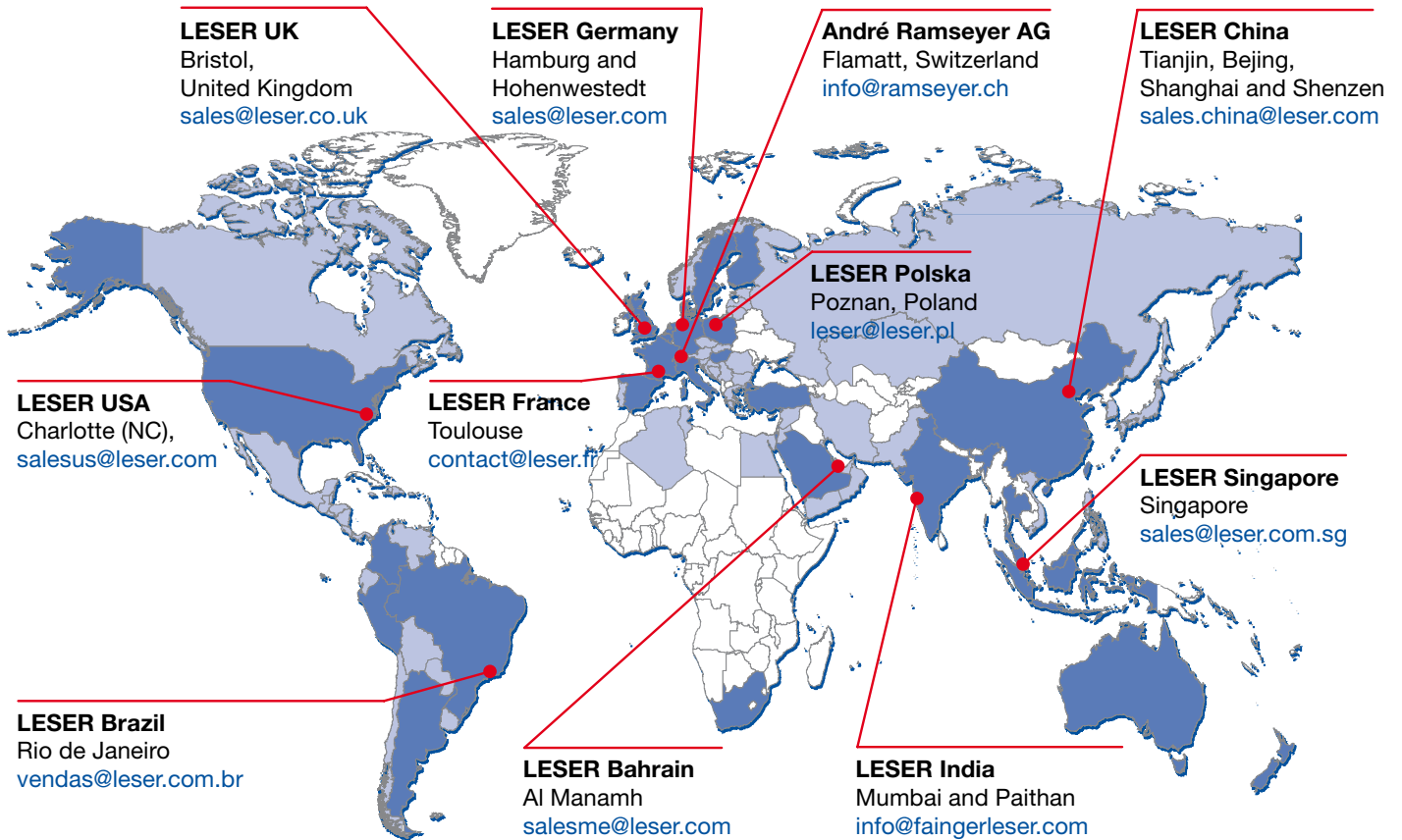


Article numbers

	DN	15 – 20	25	32	40	50	65	80	100	125	150
Art. No. 5012.		1201	1201	1201	1201	1212	1213	1204	1214	1215	1216



LESER worldwide



- LESER Regional Center
- LESER stock and local assembly
- LESER representative

For further information please contact:

LESER GmbH & Co. KG
20537 Hamburg, Wendenstr. 133-135, 20506 Hamburg, P.O. Box 26 16 51
Fon +49 (40) 251 65-100, E-Mail: sales@leser.com, www.leser.com

Your local partner:

Spare Parts Kits
02.2014

LESER

The-Safety-Valve.com

LESER GmbH & Co. KG

20537 Hamburg, Wendenstr. 133-135
20506 Hamburg, P.O. Box 26 16 51

Fon +49 (40) 251 65-100
Fax +49 (40) 251 65-500

E-Mail: sales@leser.com
www.leser.com