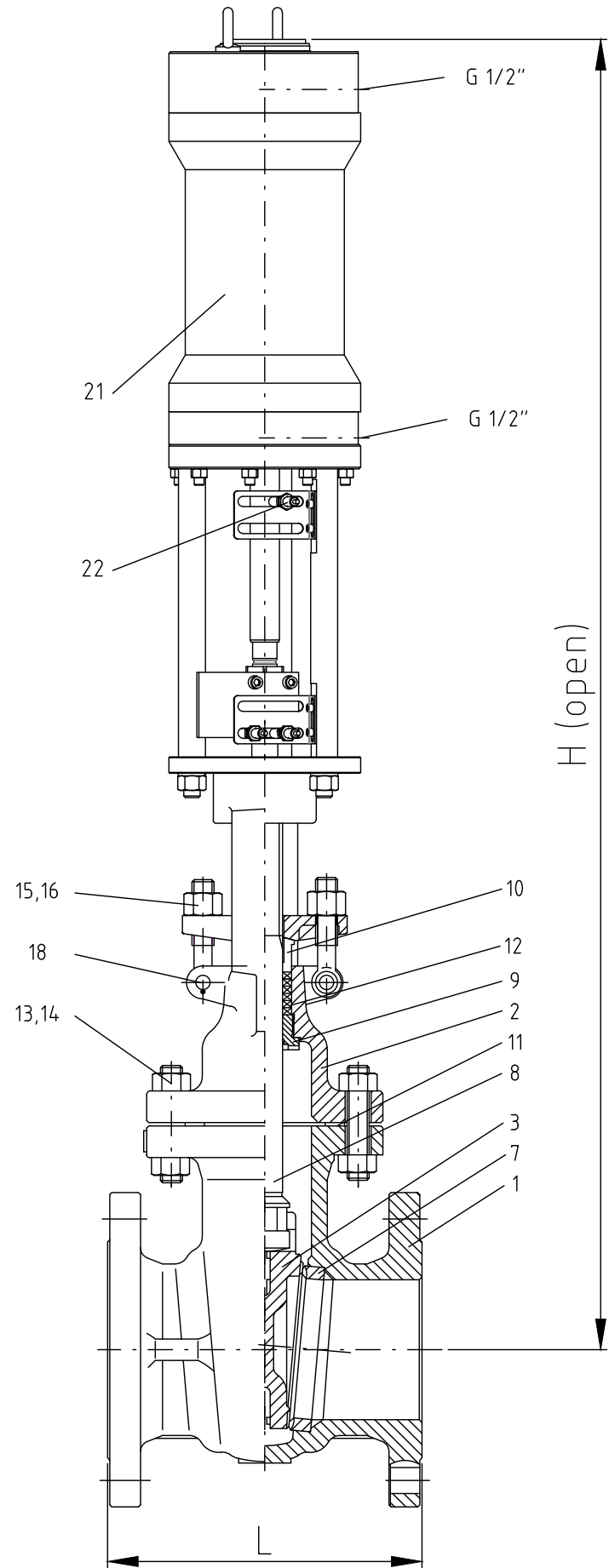


TAG-no.:	Dimensions (mm) / Weights (kg)	
---	DN	200
	L	400
	H	1920
	Weight - Valve	265



22	Position indicator	P+ F NBB4-12GM75-US
21	Hydraulic actuator	S.S.
18	Pin	Steel
16	Nut	ASTM A194 2H (1.1191)
15	Eyebolt	ASTM A193 B7 (1.7225)
14	Nut	ASTM A194 2H (1.1191)
13	Stud bolt	ASTM A193 B7 (1.7225)
12	Packing	Graphite
11	Gasket	Graphite + S.S.
10	Stuffing box	1.0619
9	Back seat	1.4006
8	Stem	1.4006

Marking acc.	EN19, CE acc. PED 2014/68/EU
Testing acc.	EN 12266-1/2
Flange ends acc.	EN 1092-1
FTF dimension acc.	EN 558 basic series 15

POS.	PART NAME	MATERIAL
7	Seat ring	1.0460 + 13%Cr
3	Wedge	1.0619 + 13%Cr
2	Bonnet	1.0619
1	Body	1.0619

PROVALVE
Armaturen GmbH & Co. KG

PROVALVE Armaturen GmbH & Co. KG
Am Stadtberg 2a
D-39167 Niedermodeleben
Germany

**Gate valve with hydraulic actuator
DN200 PN25**

Rev.	Date	Created by	Checked by	Approved by	Brief Description
A	16.09.19	F. Müller	S. Schulz	R. Beyer	First issue

Customer:	Armatec
Purchase Order-no.:	76249
Project:	---
PROVALVE Ref.:	20190236244
Specification:	---
Item:	1
Figure-no.:	P03.013-Hydr
	A3