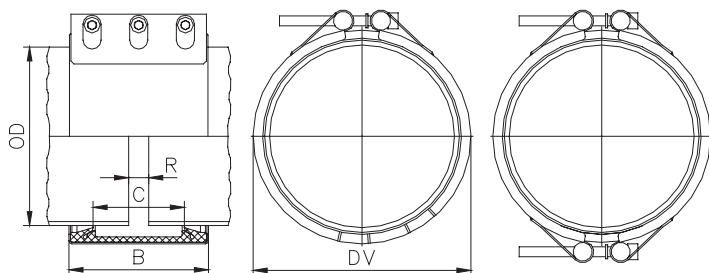


# STRAUB-OPEN-FLEX 3 Ø 219.1 - 4064.0 mm

Components / Materials	W1	W2	W4	W5
Casing	AISI A106, hot-dip galv.	AISI 316 L / 316 TI		AISI 316 L / 316 TI / S32101 (LDX)
Bolts	AISI 4135	AISI 4135		A4 - 80
Bars	AISI 12 L 14, galvanised	AISI 12 L 14, galvanised		AISI 316 L
Strip insert (option)	AISI 316 L / HDPE	AISI 316 L / HDPE		AISI 316 L / HDPE
<b>Sealing sleeve EPDM</b>	Temp.: -20°C up to +100°C	Medium: all qualities of water, waste water, air, solids and chemical products		
<b>Sealing sleeve NBR</b>	Temp.: -20°C up to +80°C	Medium: water, gas, oil, fuel and other hydrocarbons		
<b>Sealing sleeve FPM / FKM (on request)</b>	Temp.: -20°C up to +180°C	Medium: ozone, oxygen, acids, gas, oil and fuel (only with strip insert)		



- B Width of pipe coupling:  
 OPEN-FLEX 3 LS = 210 mm  
 OPEN-FLEX 3 LV = 211 mm  
 OPEN-FLEX 3 H = 221 mm  
 OPEN-FLEX 3 X = 218 mm
- DV Outside diameter of the coupling installed = OD+38 mm
- C Distance between sealing lips = 127 mm
- R<sub>max.</sub> Distance between pipe ends with strip insert = 60 mm  
 Distance between pipe ends without strip insert = 15 mm

Pipe OD [mm]	Clamping range [mm]	Working pressure PS [bar]				Torque rate [Nm]			
		LS	LV (LDX)	H	X	LS	LV (LDX)	H	X
219.1	216 - 222	18.0				40			
250.0	247 - 253	16.0				40			
267.0	264 - 270	15.0				40			
273.0	270 - 276	15.0				40			
304.0	301 - 307	13.0				40			
323.9	321 - 327	13.0	25.0	25.0		40	70	60	
355.6	352 - 358	12.0	25.0	25.0		40	70	60	
406.4	403 - 409	10.0	25.0	25.0		40	70	60	
457.2	454 - 460	9.0	25.0	24.0		40	70	60	
508.0	504 - 512	8.0 <sup>4</sup>	23.0	22.0		40	70	60	
558.8	555 - 562	7.0 <sup>4</sup>	21.0	20.0	25.0	40	70	60	90
609.6	606 - 613	6.5 <sup>4</sup>	19.0	17.0	25.0	40	70	60	90
711.2	707 - 715	5.5 <sup>4</sup>	16.0	15.0	25.0	40	70	60	90
762.0	758 - 766	5.0 <sup>4</sup>	15.0	14.0	25.0	40	70	60	90
812.8	809 - 817	5.0 <sup>4</sup>	14.5	13.0	25.0	50	70	60	110
914.4	910 - 918	4.5 <sup>4</sup>	12.5	11.5	23.0	50	80	80	110
1016.0	1012 - 1020	4.0 <sup>4</sup>	11.0	10.5	20.0	50	80	80	125
1117.6	1113 - 1122	3.5 <sup>4</sup>	10.0	9.5	18.0	50	80	80	125
1219.2	1215 - 1224	3.5 <sup>4</sup>	9.0	8.5	17.0	50	90	100	140
1320.8	1316 - 1325	3.0	9.0	8.0	16.0	50	90	100	140
1422.4	1418 - 1427	3.0	8.0	7.5	15.0	60	90	100	160
1524.0	1519 - 1529	2.5	8.0	7.0	14.0	60	90	100	160
1600.0	1595 - 1605	2.5	7.5	6.5	13.5	60	90	110	160
1625.6	1621 - 1631	2.5	7.0	6.5	13.0	60	100	120	180
1727.2	1722 - 1732	2.5	7.0	6.0	12.0	60	100	120	180
1828.8	1824 - 1834	2.0	6.0	5.5	11.0	60	110	120	200
1930.4	1925 - 1935	2.0	6.0	5.5	11.0	60	120	140	200
2032.0	2027 - 2037	2.0	5.5	5.0	10.0	60	120	140	220
2268.0	2263 - 2273		5.0	4.0	9.0		130	150	240
2540.0	2535 - 2545		4.0	3.5	8.0		140	170	260
2794.0	2789 - 2799		3.5	3.0	7.0		140	180	270
3048.0	3043 - 3053		3.0	3.0	6.5		150	200	290
3302.0	3296 - 3308		2.5 <sup>3</sup>	2.5 <sup>3</sup>	6.0		160	220	310
3556.0	3548 - 3562		2.0 <sup>3</sup>	2.5 <sup>3</sup>	5.5		180	230	330
3810.0	3804 - 3816		1.5 <sup>3</sup>	2.0 <sup>3</sup>	5.0		200	250	340
4064.0	4058 - 4070		1.0 <sup>3</sup>	2.0 <sup>3</sup>	5.0		210	270	350

STRAUB produces custom made couplings from 219.1 up to 4064.0 mm

### Remarks:

- Follow fitting / disassembly instructions
- All STRAUB-OPEN-FLEX 3 available in two-piece version
- PS = Working pressure considering the application loads  
 Test pressure = PS x 1.5 (for example industry, water supply etc.)  
 Burst pressure = approx. PS x 2
- Strip inserts are required for special applications, see page 43

- LS-version in W2 or W5
- LV(LDX)-version in W5
- H- and X-version in W1

For IPS sizes in bold see page 54 for actual OD

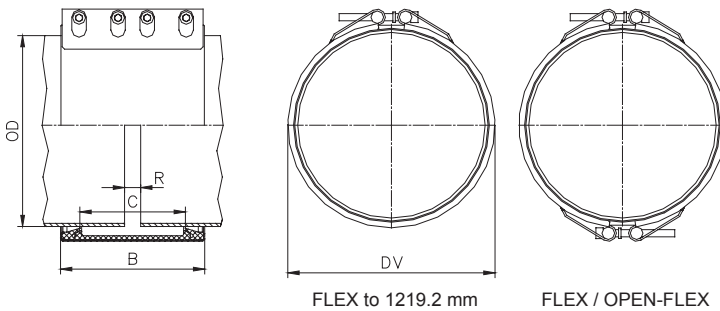
<sup>3</sup> Available in three-piece version only

<sup>4</sup> One-piece version in slotted design

Typing errors may occur. Technical details are subject to change

# STRAUB-FLEX / STRAUB-OPEN-FLEX 3.5 Ø 323.9 - 4064.0 mm

Components / Materials	W1	W2	W4	W5
Casing	AISI A106, hot-dip galv.			S32101 (LDX)
Bolts	AISI 4135			A4 - 80
Bars	AISI 12 L 14, galvanised			AISI 316 L
Strip insert	AISI 301 / HDPE			AISI 301 / HDPE
<b>Sealing sleeve EPDM</b>	Temp.: -20°C up to +100°C Medium: all qualities of water, waste water, air, solids and chemical products			
<b>Sealing sleeve NBR</b>	Temp.: -20°C up to +80°C Medium: water, gas, oil, fuel and other hydrocarbons			



- B Width of pipe coupling:  
FLEX / OPEN-FLEX 3.5 LV = 310 mm  
FLEX / OPEN-FLEX 3.5 H = 311 mm
- DV Outside diameter of the coupling installed = OD+38 mm
- C Distance between sealing lips = 227 mm
- R<sub>max</sub> Distance between pipe ends with strip insert = 120 mm  
Distance between pipe ends without strip insert = 20 mm

Pipe OD [mm]	Clamping range [mm]	Working pressure PS [bar]		Torque rate [Nm]	
		LV (LDX)	H	LV (LDX)	H
<b>323.9<sup>5</sup></b>	<b>320 - 327</b>	<b>25.0</b>	<b>25.0</b>	<b>50</b>	<b>50</b>
<b>355.6<sup>5</sup></b>	<b>352 - 370</b>	<b>25.0</b>	<b>25.0</b>	<b>50</b>	<b>50</b>
<b>406.4<sup>5</sup></b>	<b>402 - 410</b>	<b>25.0</b>	<b>25.0</b>	<b>50</b>	<b>50</b>
<b>457.2<sup>2</sup></b>	<b>453 - 461</b>	<b>25.0</b>	<b>25.0</b>	<b>50</b>	<b>50</b>
<b>508.0<sup>5</sup></b>	<b>504 - 512</b>	<b>23.0</b>	<b>23.0</b>	<b>50</b>	<b>50</b>
<b>558.8<sup>5</sup></b>	<b>555 - 563</b>	<b>21.0</b>	<b>21.0</b>	<b>50</b>	<b>50</b>
<b>609.6<sup>5</sup></b>	<b>605 - 614</b>	<b>19.0</b>	<b>19.0</b>	<b>50</b>	<b>50</b>
655.0 <sup>5</sup>	651 - 659	17.0	17.0	50	50
711.2 <sup>5</sup>	707 - 715	16.0	16.0	50	50
762.0 <sup>5</sup>	758 - 766	15.0	15.0	50	50
812.8 <sup>5</sup>	809 - 817	14.0	14.0	50	50
914.4 <sup>5</sup>	910 - 918	12.0	12.0	60	60
1016.0 <sup>5</sup>	1011 - 1021	11.0	11.0	60	60
1117.6 <sup>5</sup>	1112 - 1123	10.0	10.0	70	70
1219.2 <sup>5</sup>	1214 - 1224	9.0	9.0	80	80
1422.4	1417 - 1427	7.0	8.0	80	80
1524.0	1519 - 1529	7.0	7.5	80	80
1625.0	1620 - 1630	6.0	7.0	90	90
1727.2	1722 - 1732	6.0	6.5	90	90
1828.8	1824 - 1834	5.0	6.0	110	100
1930.4	1925 - 1935	4.5	5.5	110	110
2032.0	2026 - 2038	4.0	5.0	120	120
2268.0	2262 - 2274	3.5	4.5	130	130
2540.0	2534 - 2546	3.0	4.0	140	140
2794.0	1788 - 2800	2.5	3.5	140	140
3048.0	3042 - 3054	2.0	3.0	160	160
3302.0	3296 - 3308	1.5 <sup>3</sup>	3.0 <sup>3</sup>	170	170
3556.0	3550 - 3562	1.5 <sup>3</sup>	3.0 <sup>3</sup>	180	180
3810.0	3804 - 3816	1.0 <sup>3</sup>	2.5 <sup>3</sup>	190	190
4064.0	4058 - 4070	1.0 <sup>3</sup>	2.5 <sup>3</sup>	210	210

STRAUB produces custom made couplings from 323.9 up to 4064.0 mm

### Remarks:

- Follow fitting / disassembly instructions
- PS = Working pressure considering the application loads  
Test pressure = PS x 1.5 (for example industry, water supply etc.)  
Burst pressure = approx. PS x 2
- Strip inserts are required for special applications (included), see page 43
- LV(LDX)-version in W5
- H-version in W1

<sup>3</sup> Available in three-piece version only

<sup>5</sup> STRAUB-FLEX available in one-piece version as well

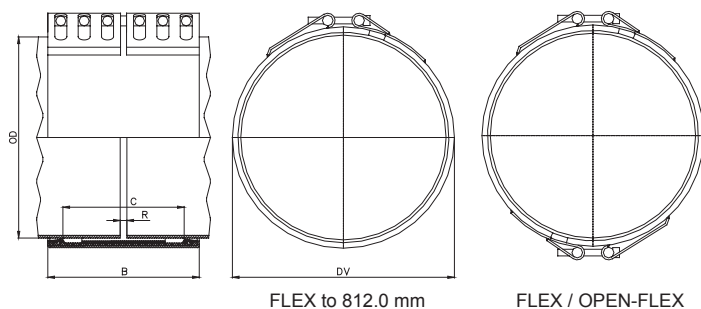
For IPS sizes in bold see page 54 for actual OD

Typing errors may occur. Technical details are subject to change

# STRAUB-FLEX / STRAUB-OPEN-FLEX 4 Ø 323.9 - 4064.0 mm

Components / Materials	W1	W2	W4	W5
Casing	AISI A106 , hot-dip galv.			S32101 (LDX)
Bolts	AISI 4135			A4 - 80
Bars	AISI 12 L 14, galvanised			AISI 316 L
Strip insert	AISI 301 / HDPE			AISI 301 / HDPE

**Sealing sleeve EPDM** Temp.: -20°C up to +100°C  
 Medium: all qualities of water, waste water, air, solids and chemical products



B Width of pipe coupling:  
 FLEX / OPEN-FLEX 4 LV = 443 mm  
 FLEX / OPEN-FLEX 4 H = 444 mm  
 DV Outside diameter of the coupling installed = OD+48 mm  
 C Distance between sealing lips = 350 mm  
 R<sub>max.</sub> Distance between pipe ends with strip insert = 200 mm  
 Distance between pipe ends without strip insert = 20 mm

Pipe OD [mm]	Clamping range [mm]	Working pressure PS [bar]		Torque rate [Nm]	
		LV (LDX)	H	LV (LDX)	H
323.9 <sup>5</sup>	320 - 327	25.0	25.0	40	40
355.6 <sup>5</sup>	352 - 359	25.0	25.0	40	40
406.4 <sup>5</sup>	403 - 409	25.0	25.0	40	40
457.2 <sup>5</sup>	454 - 460	24.0	25.0	40	40
508.0 <sup>5</sup>	505 - 512	22.0	23.0	40	40
558.8 <sup>5</sup>	555 - 562	20.0	21.0	40	40
609.6 <sup>5</sup>	606 - 613	19.0	19.0	40	40
655.0 <sup>5</sup>	652 - 658	18.0	18.0	40	40
711.2 <sup>5</sup>	707 - 715	16.0	17.0	40	40
762.0 <sup>5</sup>	758 - 766	15.0	16.0	40	40
812.8 <sup>5</sup>	809 - 817	14.0	14.0	50	50
914.4	910 - 918	12.0	13.0	50	50
1016.0	1012 - 1020	10.0	11.0	60	60
1117.6	1113 - 1122	10.0	10.0	60	60
1219.2	1215 - 1224	9.0	9.0	70	70
1422.4	1418 - 1427	7.0	8.0	70	70
1524.0	1519 - 1529	6.0	7.0	80	80
1625.0	1621 - 1631	6.0	7.0	80	80
1727.2	1722 - 1732	6.0	7.0	90	90
1828.8	1824 - 1834	5.0	6.0	100	100
1930.4	1925 - 1935	5.0	6.0	110	110
2032.0	2027 - 2037	4.0	5.0	120	120
2268.0	2263 - 2273	3.5	4.5	130	130
2540.0	2535 - 2545	3.0	4.0	140	140
2794.0	2798 - 2799	3.0	3.0	140	140
3048.0	3043 - 3053	2.0	3.0	160	160
3302.0	3296 - 3308	2.0 <sup>3</sup>	3.0 <sup>3</sup>	170	170
3556.0	3548 - 3562	1.5 <sup>3</sup>	2.5 <sup>3</sup>	180	180
3810.0	3804 - 3816	1.0 <sup>3</sup>	2.0 <sup>3</sup>	190	190
4064.0	4058 - 4070	1.0 <sup>3</sup>	2.0 <sup>3</sup>	210	210

STRAUB produces custom made couplings from 323.9 up to 4064.0 mm

### Remarks:

- Follow fitting / disassembly instructions
- PS = Working pressure considering the application loads  
 Test pressure = PS x 1.5 (for example industry, water supply etc.)  
 Burst pressure = approx. PS x 2
- Strip inserts are required for special applications (included) , see page 43
- LV(LDX)-version in W5
- H-version in W1

<sup>3</sup> Available in three-piece version only

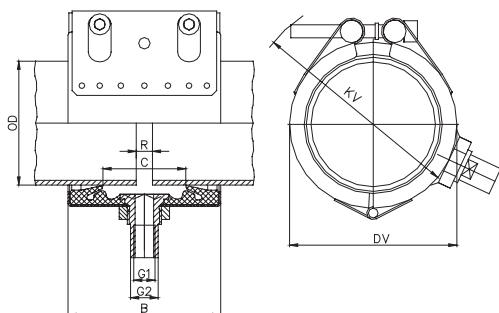
<sup>5</sup> STRAUB-FLEX available in one-piece version as well

For IPS sizes in bold see page 54 for actual OD

## STRAUB-OPEN-FLEX 1L GT Ø 73.0 - 168.3 mm

Components / Materials	W1	W2	W4	W5
Casing		AISI 316 L / 316 TI		AISI 316 L / 316 TI
Bolts		AISI 4135		A4 - 80
Bars		AISI 12 L 14, galvanised		AISI 316 L

<b>Sealing sleeve EPDM</b>	Temp.: -20°C up to +70°C	Medium: all qualities of water, waste water, air, solids and chemical products
<b>Sealing sleeve NBR</b>	Temp.: -20°C up to +70°C	Medium: water, gas, oil, fuel and other hydrocarbons



OD [mm]	Clamping range [mm]	PS [bar]	B [mm]	C [mm]	DV [mm]	KV [mm]	G1 [Zoll]	G2 [Zoll]	Torque rate [Nm]
<b>73.0</b>	<b>71.5 - 74.5</b>	<b>16.0</b>	<b>94</b>	<b>51</b>	<b>95</b>	<b>117</b>	<b>1/4</b>	<b>1/2</b>	<b>10</b>
<b>76.1</b>	<b>74.5 - 77.5</b>	<b>16.0</b>	<b>94</b>	<b>51</b>	<b>98</b>	<b>122</b>	<b>1/4</b>	<b>1/2</b>	<b>10</b>
84.0	82.5 - 85.5	16.0	94	51	106	127	1/4	1/2	10
<b>88.9</b>	<b>87.5 - 90.5</b>	<b>16.0</b>	<b>94</b>	<b>51</b>	<b>111</b>	<b>132</b>	<b>1/4</b>	<b>1/2</b>	<b>10</b>
100.6	99.0 - 102.5	16.0	94	51	123	147	1/4	1/2	10
<b>101.6</b>	<b>100.0 - 103.5</b>	<b>16.0</b>	<b>94</b>	<b>51</b>	<b>124</b>	<b>147</b>	<b>1/4</b>	<b>1/2</b>	<b>10</b>
104.0	102.5 - 105.5	16.0	94	51	126	147	1/4	1/2	10
104.8	103.0 - 106.5	16.0	94	51	127	147	1/4	1/2	10
108.0	106.5 - 109.5	16.0	94	51	130	152	1/4	1/2	10
<b>114.3</b>	<b>112.5 - 116.0</b>	<b>16.0</b>	<b>94</b>	<b>51</b>	<b>136</b>	<b>157</b>	<b>1/4</b>	<b>1/2</b>	<b>10</b>
118.0	116.0 - 120.0	16.0	94	51	140	162	1/4	1/2	10
127.0	125.0 - 129.0	16.0	107	62	149	165	3/4	1	12
129.0	127.0 - 131.0	16.0	107	62	151	165	3/4	1	12
130.2	128.5 - 132.0	16.0	107	62	152	165	3/4	1	12
133.0	131.0 - 135.0	16.0	107	62	155	170	3/4	1	12
<b>139.7</b>	<b>138.0 - 141.5</b>	<b>16.0</b>	<b>107</b>	<b>62</b>	<b>162</b>	<b>175</b>	<b>3/4</b>	<b>1</b>	<b>12</b>
141.3	139.5 - 143.0	16.0	107	62	163	180	3/4	1	12
154.0	152.0 - 156.0	16.0	107	62	176	190	3/4	1	12
159.0	157.0 - 161.0	16.0	107	62	181	195	3/4	1	12
<b>168.3</b>	<b>166.0 - 170.5</b>	<b>16.0</b>	<b>107</b>	<b>62</b>	<b>190</b>	<b>205</b>	<b>3/4</b>	<b>1</b>	<b>12</b>

### Remarks:

- Follow fitting / disassembly instructions
- PS = Working pressure considering the application loads  
Test pressure = PS x 1.5 (for example industry, water supply etc.)  
Burst pressure = approx. PS x 2
- Strip inserts not to be applied / not suitable for vacuum applications
- STRAUB-OPEN-FLEX 2 GT, 3 GT, 3.5 GT and 4 GT with outlet G3/4" / 1" available as well; other outlets on request

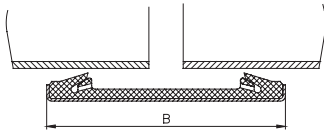
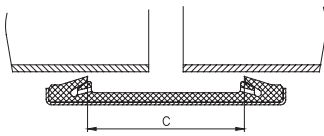

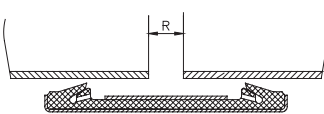

For IPS sizes in bold see page 54 for actual OD

# STRAUB-FLEX / STRAUB-OPEN-FLEX overview

■ one-piece ■ two-piece ■ from 3048.0 mm three-piece

<b>4H</b>	323.9	812.8	4064.0	
<b>4LV</b>	323.9	812.8	4064.0	
<b>3.5H</b>	323.9	1219.2	4064.0	
<b>3.5LV</b>	323.9	1219.2	4064.0	
<b>3X</b>	558.8	2032.0	4064.0	
<b>3H</b>	323.9	2032.0	4064.0	
<b>3LV</b>	323.9	2032.0	4064.0	
<b>3LS</b>	219.1	2032.0	2032.0	(OPEN-FLEX slotted 508.0 - 1219.1)
<b>2XS</b>	273.0	2032.0	2032.0	
<b>2H</b>	273.0	2032.0	2032.0	
<b>2LV</b>	273.0	2032.0	2032.0	
<b>2LU</b>	180.0	2032.0	2032.0	(OPEN-FLEX slotted 508.0 - 1219.1)
<b>2LS</b>	180.0	1600.0	1600.0	(OPEN-FLEX slotted 180.0 - 1219.1)
<b>2L</b>	172.0	609.6	609.6	(OPEN-FLEX slotted 172.0 - 609.6)
<b>1L</b>	48.3 - 168.3	48.3 - 168.3		(OPEN-FLEX with hinge 48.3 - 168.3)

## Specification STRAUB-FLEX / STRAUB-OPEN-FLEX

	Drawing	FLEX 2	FLEX 3	FLEX 3.5	FLEX 4
Width of casing B [mm] Type LV		141	211	310	444
Distance between sealing lips C [mm]		91	127	227	350
Strip inserts A [mm]		70	100	200	300
Gap between pipe ends R without strip inserts [mm]		10	15	20	20
Gap between pipe ends R with strip inserts [mm]		35	60	120	200
Max. axial movement [mm]		10	15	15	20