

Beskrivelse	Dimensjon	Trykk	Temperatur
Double orifice air valve that combines both large orifice & small orifice functions within one unit. The large orifice allows air to be expelled from the system during filling of a pipeline and admit air back into the system whenever subatmospheric pressure occurs. Air is vented from the system until water enters the valve and lifts the float against its seat, ensuring a tight seal. In the event of sub-atmospheric pressure in the system, the water level drops causing the float to fall from its seat and allow the admission of air.	25mm (1") - 200mm (8") sizes	0.2 bar up to 16 bar.	0°C to +70°C

Accessories / Options:

- Various materials available for sea water or corrosive applications.
- Various flange drillings.
- Screwed or flanged outlet facility.
- Viton rubber seat.
- Metal float options.
- Surge arrestor, inflow / outflow check device, vented non-return device, adjustable throttle device.
- Bib tap / test point.
- Isolating valve.
- 25 bar version.
- 40 bar version (on 25mm only)

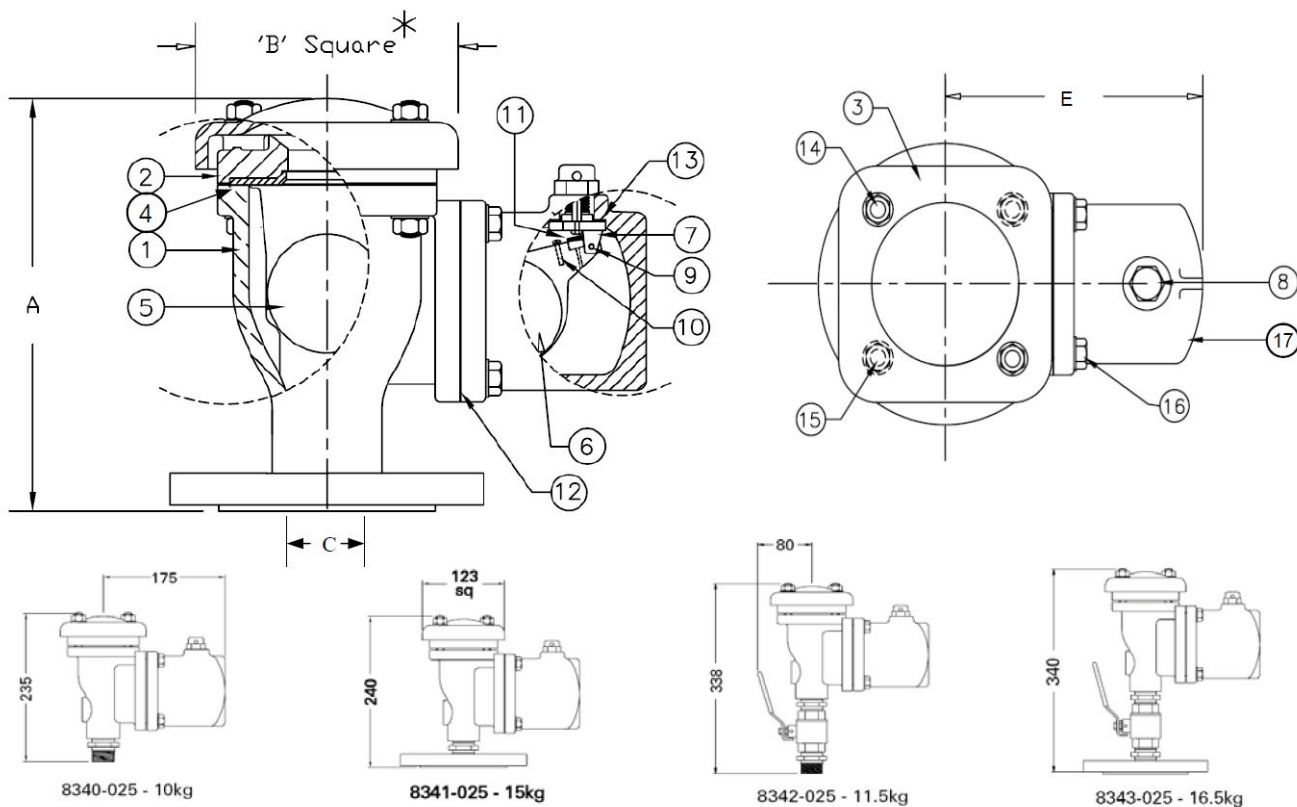


Tests

Seat 1.1 x PN Body 1.5 x PN

Materials:

Body Ductile	Iron ENGJS-500-7
Cover Ductile	Iron ENGJS-500-7
Shield plate Ductile (Spun steel on 150 & 200mm)	Iron ENGJS-500-7
Large orifice seat	EPDM rubber
Large orifice float	ABS plastic
Small orifice float	ABS plastic
Orifice plug	Glass filled nylon 6
Orifice nut	Glass filled nylon 6
Hinge pin	316 Stainless steel
Stop screw	316 Stainless steel
Small orifice seal	EPDM rubber
Chamber O-ring	EPDM rubber
Gasket, orifice plug	EPDM rubber
Shield studs & nuts	304 Stainless steel
Cover bolts & nuts	304 Stainless steel
Chamber setscrews	304 Stainless steel
Chamber Ductile Iron	ENGJS-500-7



Model figure numbers:

- Fig.8340 - Standard valve with flanged inlet (screwed 1" BSP on 1" size valve).
- Fig.8341 - 1" with inlet flange.
- Fig.8342 - 1" with Isolating ball valve.
- Fig.8343 - 1" with isolating ball valve & inlet flange.
- Fig.8350 - PN25 rated valve with flanged inlet.
- Suffix 'P' for screwed outlet.
- * Round on 150mm & 200mm size air valves.

Change-Over

Air Release & Vacuum Valve

