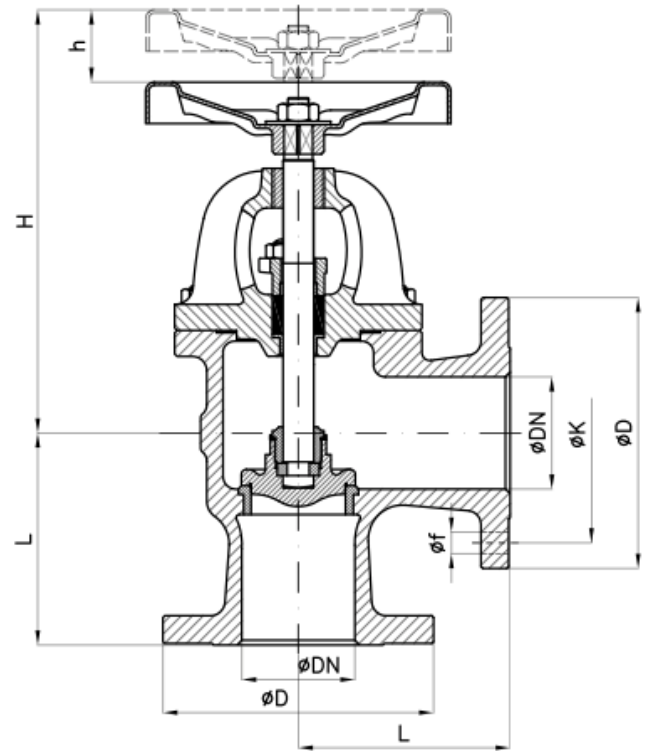


Art. 1495s16

Globe valve, angle type, heavy series PN 16, available with body in Carbon steel, stainless steel, bronze, aluminium bronze for sea water, cast iron, nodular cast iron.

On request the valve can be supplied in SDR (screw down return) execution.

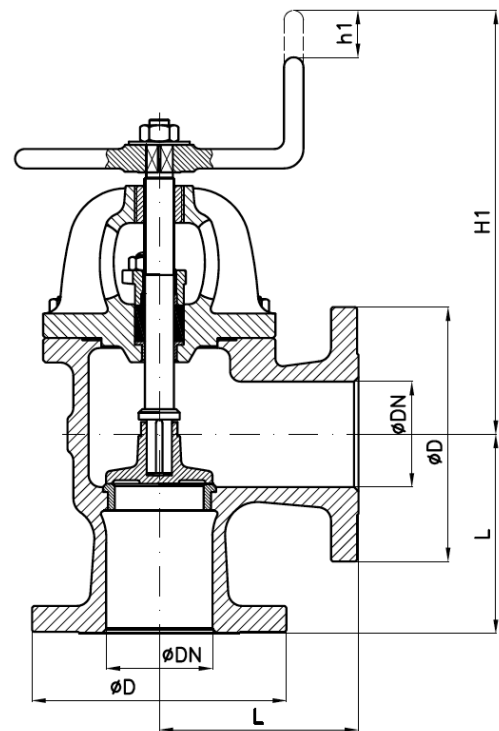
Flanges DIN PN 16.



Execution with fixed disc (SDSL)

DN	H SDSL	h SDSL	H1 SDNR	h1 SDNR	L	D	K	f	n°fori f
15	175	12	205	8	85	95	65	14	4
20	175	12	205	8	85	105	75	14	4
25	195	14	220	9	90	115	85	14	4
32	205	17	235	10	105	140	100	18	4
40	210	20	245	12	115	150	110	18	4
50	235	24	270	14	125	165	125	18	4
65	280	32	320	18	145	185	145	18	4
80	290	35	325	20	155	200	160	18	8
100	330	45	365	28	175	220	180	18	8
125	385	54	415	32	200	250	210	18	8
150	415	62	445	38	225	285	240	22	8
175	470	74	500	45	250	315	270	22	8
200	525	82	555	50	275	340	295	22	12
250	550	100	575	66	325	405	355	26	12
300	640	118	660	85	375	460	410	26	12
350	730	130	755	90	400	520	470	26	16
400	820	135	840	100	450	580	525	30	16
450	905	160	920	115	480*	640	585	30	20
500	980	180	995	130	535	715	650	33	20
600	1450	215	1480	160	550	840	770	36	20

*Note: the size DN 450 if the body is in cast iron or nodular cast iron have the face to face L of 500mm



Execution with loose disc (SDNR)

As a continuous research of product development, patterns are liable to be modified as improvements are introduced. Drawings, pressures and sizes, although accurate at the moment of going to press, should therefore be considered as indicative information only. 01/02