

#### standard features

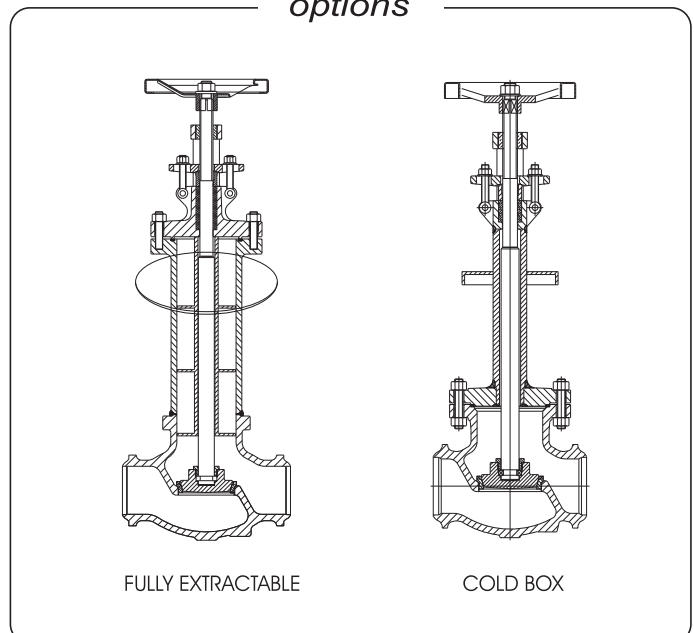
- **Description** BOLTED BONNET  
EXTENDED BONNET  
OUTSIDE SCREW AND YOKE  
RISING STEM  
RISING HANDWHEEL  
LOOSING DISC
- **Design** DIN 3352  
DIN 3840
- **Face to face** DIN 3202
- **Flanges** DIN 2501  
DIN 2547  
DIN 2526 FORM E  
BW TO DIN 3239
- **Testing** DIN 3352 Part 1  
DIN 3230 Part 3
- **Rating** DIN 2401
- **Marking** EN 19  
CE - PED
- **Certificates** EN 10204 - 3.1 B

PART NAME	FH1430EB - FH1560EB - FH1570EB
1 Body	1.4552
2 Bonnet	1.4552
3 Seat (integral)	1.4552 (1)
4 Disc	X5CrNiMo17-12-2 (1)
5 Stem	X5CrNiMo17-12-2 (2)
6 Back seat (integral)	1.4552
7 Gland	X5CrNiMo17-12-2
8 Yoke sleeve	MS58 (3)
9 Handwheel	Steel
10 Plate	1.0460
11 Handwheel nut	X5CrNiMo17-12-2
12 Bolts	A2-70
13 Nuts	A2-70
14 Eye bolts	A2-70
15 Nuts	A2-70
16 Eye bolt pin	A2-70
17 Gasket	S. S. reinforced graphite (4)
18 Packing	Graphite rings & wiper rings (4)
19 Extension	X2CrNiMo17-12-2

(1) On request: faced with Stellite® - Monei® - Hastelloy® - other materials  
 (2) On request: 17 Cr - Monel® - Hastelloy® - other materials

(3) On request: GGG50  
 (4) On request: PTFE - other materials

#### options



All data, subject to technical changes, are only for information and not for official use.



ISO 9001 No. 0072



API 6 D - 0166

ISO 9001-2000  
CERTIFIED

**A.N.C.C.**  
**I.S.P.E.S.L.**  
NOTIFIED



97/23/CE



AD-Merkblatt HP 0  
AD 2000 A4  
APPROVED

VALVOSIDER s.r.l. - Via S. Rocco, 2 - P.O. BOX 76 - 13011 Borgosesia (VC) - Italy  
 Phone: +39016322991 - Fax: +39016321537 - www.valvosider.com - e-mail: valvo@valvosider.com

# GLOBE VALVES - CRYOGENIC DIN PN 25 - 40 - 63 - 100

**VALVOSIDER**  
MANUFACTURER OF VALVES

**FIG. 1430EB - CRYOGENIC GLOBE VALVES - DIN PN 25 / 40 - F1**

SIZE DN	15	20	25	32	40	50	65	80	100	125	150	175	200	250	300	350	400	450	500	600
L RF/BW	130	150	160	180	200	230	290	310	350	400	480	550	600	730	850	980	1100	1200	1250	1450
D - PN25	95	105	115	140	150	165	185	200	235	270	300	330	360	425	485	555	620	670	730	845
D - PN40	95	105	115	140	150	165	185	200	235	270	300	350	375	450	515	580	660	685	755	890
V	100	100	125	125	150	150	200	200	225	225	300	300	400	500	500	600	600	700	700	800
W	200	200	200	200	200	200	200	300	300	300	300	300	300	300	300	300	300	300	300	300
H	565	570	595	605	630	665	685	825	880	920	1070	1160	1180	1360	1510	1650	1900	2010	2210	2750
H1	569	575	602	613	640	678	702	845	905	952	1108	1204	1230	1423	1585	1738	2000	2123	2335	--

**FIG. 1560EB - CRYOGENIC GLOBE VALVES - DIN PN 63 - F2**

SIZE DN	15	20	25	32	40	50	65	80	100	125	150	175	200	250	300	350	400	500	600	--
L RF/BW	210	230	230	260	260	300	340	380	430	500	550	600	650	775	900	1025	1150	1400	1600	--
D	105	130	140	155	170	180	205	215	250	295	345	375	415	470	530	600	670	800	930	--
V	150	150	150	200	200	200	225	250	300	400	500	500	600	700	700	800	800	1000	1200	--
W	200	200	200	200	200	200	200	300	300	300	300	300	300	300	300	300	300	300	300	--
H	655	715	715	735	755	785	815	965	995	1055	1220	1310	1360	1410	1540	--	--	--	--	--
H1	659	720	722	743	765	798	832	985	1020	1087	1258	1354	1410	1473	1615	--	--	--	--	--

**FIG. 1570EB - CRYOGENIC GLOBE VALVES - DIN PN 100 - F2**

SIZE DN	15	20	25	32	40	50	65	80	100	125	150	175	200	250	300	--	--	--	--	--
L RF/BW	210	230	230	260	260	300	340	380	430	500	550	600	650	775	900	--	--	--	--	--
D	105	130	140	155	170	195	220	230	265	315	355	385	430	505	585	--	--	--	--	--
V	150	150	150	200	200	200	225	250	300	400	500	500	600	700	700	--	--	--	--	--
W	200	200	200	200	200	200	200	300	300	300	300	300	300	300	300	--	--	--	--	--
H	655	715	715	735	755	805	885	1015	1085	1105	1240	1330	1390	1440	1580	--	--	--	--	--
H1	659	720	722	743	765	818	902	1035	1110	1137	1278	1374	1440	1503	1655	--	--	--	--	--

*features on request*

- |   |  |
|---|--|
| <ul style="list-style-type: none"> <li><input type="checkbox"/> TOP FLANGE TO ISO 5210</li> <li><input type="checkbox"/> GEAR OPERATOR</li> <li><input type="checkbox"/> CHAIN WHEEL OPERATOR</li> <li><input type="checkbox"/> PNEUMATIC ACTUATOR</li> <li><input type="checkbox"/> HYDRAULIC ACTUATOR</li> <li><input type="checkbox"/> ELECTRIC ACTUATOR</li> <li><input type="checkbox"/> POSITION INDICATOR</li> <li><input type="checkbox"/> LIMIT SWITCHES</li> <li><input type="checkbox"/> LOCKING / INTERLOCK SYSTEM</li> </ul> | <ul style="list-style-type: none"> <li><input type="checkbox"/> PTFE SOFT SEATS</li> <li><input type="checkbox"/> STEM PROTECTION / EXTENSION</li> <li><input type="checkbox"/> REGULATING DISC</li> <li><input type="checkbox"/> DOUBLE STAGE DISC</li> <li><input type="checkbox"/> STOP CHECK DISC</li> <li><input type="checkbox"/> LIVE LOADED PACKING</li> <li><input type="checkbox"/> DRAIN PLUG</li> <li><input type="checkbox"/> BW ENDS</li> <li><input type="checkbox"/> ANSI CONNECTIONS</li> </ul> |
|---|--|

All dimensions in mm (except where differently indicated)

All data, subject to technical changes, are only for information and not for official use.



ISO 9001-2000  
CERTIFIED

**A.N.C.C.**  
**I.S.P.E.S.L.**  
NOTIFIED



VALVOSIDER s.r.l. - Via S. Rocco, 2 - P.O. BOX 76 - 13011 Borgosesia (VC) - Italy  
Phone: +39016322991 - Fax: +39016321537 - www.valvosider.com - e-mail: valvo@valvosider.com