

DOUBLE ECCENTRIC BUTTERFLY VALVES

WAFER TYPE S960

Nominal diameter: DN50-DN700 (2"~28") Other sizes on request

Flange Connection: EN1092 (PN6/10/16/25) /ASME B16.5/B16.47 (Class150/300) /JISB2220 (JIS5K/10K/16K/30K)

Temperature range: -40 to +650 °C

For temperatures above 450°C to 650°C, please contact us

Face to face acc.: API609/EN558-1

Top flange acc.: ISO 5211

Vacuum to 1×10^{-3} Torr absolute

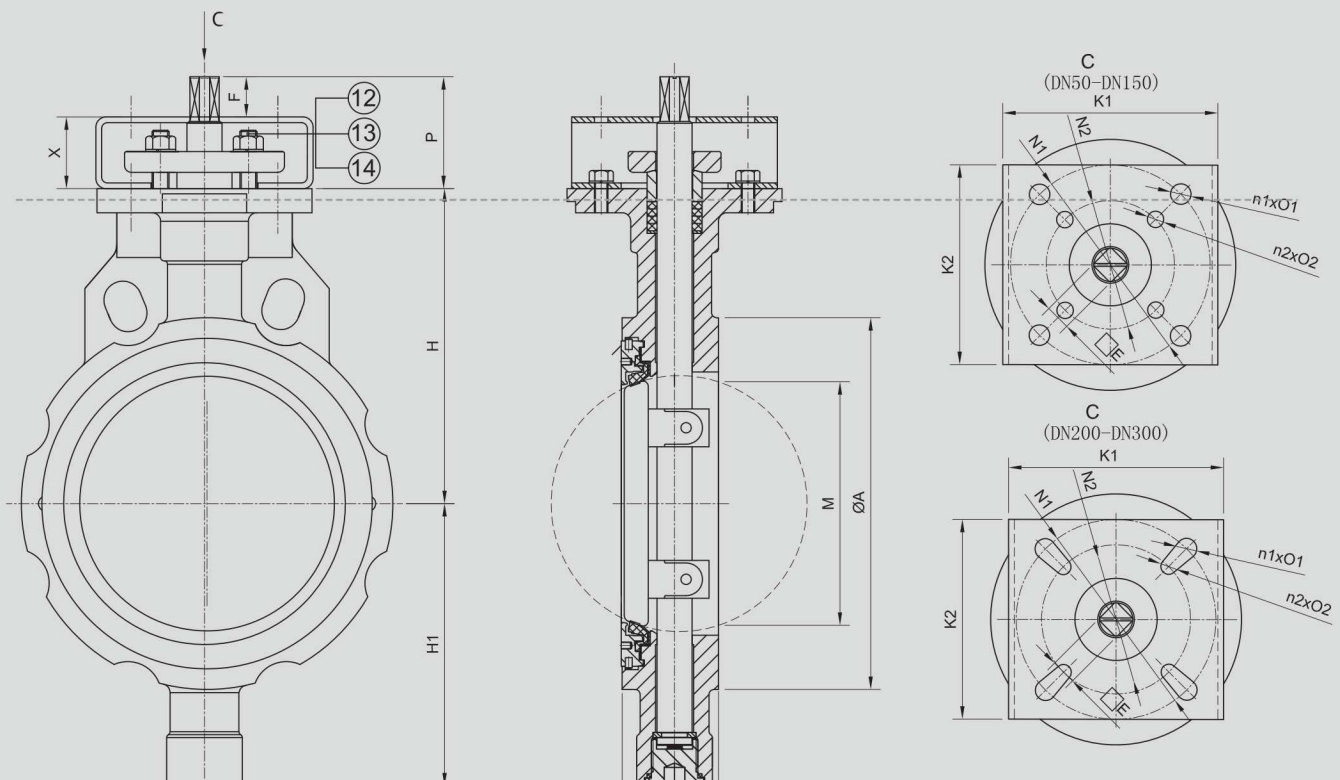


PN10/16/25/CL150

DN	ΦA	E	F	H	H1	K1	K2	L	N1	N2	n1x01	n2x02	P	X	M
50	102	12	15	108	91	90	70	43	70	50	4XΦ9	4XΦ7	65	(50)	44.29
65	122	12	15	123	101	90	70	46	70	50	4XΦ9	4XΦ7	65	(50)	61.49
80	132	12	15	133	107	90	70	46	70	50	4XΦ9	4XΦ7	65	(50)	74.38
100	156	12	15	155	115	90	70	52	70	50	4XΦ9	4XΦ7	65	(50)	93.47
125	188	17	20	173	155	110	100	56	102	70	4XΦ11	4XΦ9	65	(45)	119.34
150	216	17	20	183	164	110	100	56	102	70	4XΦ11	4XΦ9	65	(45)	138.39
200	268	19	25	218	195	140	120	60	125	102	4XΦ13	4XΦ11	85	(60)	189.79
250	326	22	25	253	230	140	120	68	125	102	4XΦ13	4XΦ11	85	(60)	238.51
300	375	27	30	278	260	160	140	78	140	102	4XΦ17	4XΦ11	90	(60)	277.31

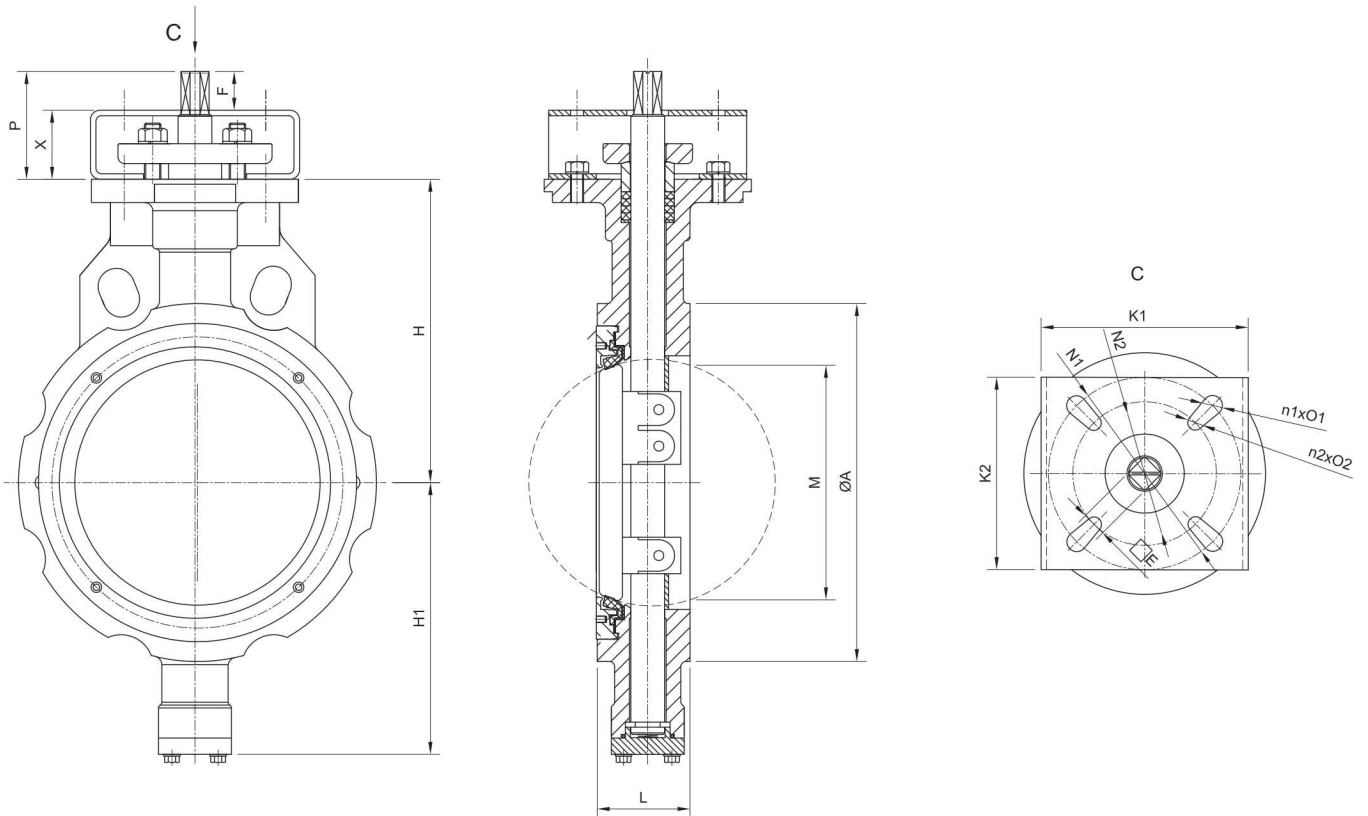
CL300

DN	E	F	P	H	H1	L	K1	K2	N1	N2	n1x01	n2x02	X
80	17	20	65	158	123	48	110	100	102	70	4xΦ11	4xΦ9	(45)
100	17	20	65	178	128	54	110	100	102	70	4xΦ11	4xΦ9	(45)
125	22	25	85	190	189	59	140	120	125	102	4xΦ13	4xΦ11	(60)
150	22	25	85	214	172	59	140	120	125	102	4xΦ13	4xΦ11	(60)
200	27	30	90	235	218	73	160	140	140	102	4xΦ17	4xΦ11	(60)
250	30	32	92	285	265	83	160	140	140	102	4xΦ17	4xΦ11	(60)



DOUBLE ECCENTRIC BUTTERFLY VALVES

WAFER TYPE S960



PN10/16/25/CL150

DN	ØA	E	F	H	H1	K1	K2	L	N1	N2	n1xØ1	n2xØ2	P	X	M
350	420	30	32	318	308	160	140	92	140	102	4xØ17	4xØ11	92	(60)	330.74
400	482	36	44	363	354	200	170	102	165	140	4xØ22	4xØ17	124	(80)	374.32

PN10/16/25/CL150

DN	E	F	P	H	H1	L	K1	K2	N1	N2	n1x01	n2x02	X
450	41	50	130	388	375	114	200	170	165	140	4×Φ22	4×Φ17	(80)
500	46	54	134	432	413	127	200	170	165	/	4×Φ22	/	(80)
550	55	63	163	458	439	154	300	300	254	/	8×Φ18	/	(100)
600	55	63	163	488	450	154	300	300	254	/	8×Φ18	/	(100)
650	55	63	163	516	500	165	300	300	254	/	8×Φ18	/	(100)
700	Φ90 2-25×14×110	120	240	576	542	165	360	350	298	/	8×Φ22	/	(120)

