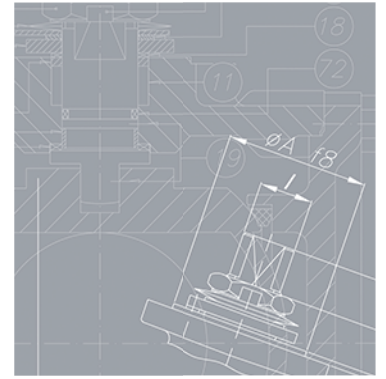


Technical Datasheet

ANSI Ball Valves 915N

JC
VALVES

The quality option



sales@jc-valves.com

www.jc-valves.com



- Valve design: Full Bore EN 1983
- Body design: EN 12516
- Shell thickness: EN ISO 17292
- Flanges: ASME B16.5 Raised Face
- Face to face dimensions: EN 558 Series 27
- Marking: EN 19 / CE - PED
- Pressure testing: API 598 - API 6D
- Other: ATEX
- Shell finishing quality: MSS SP 55

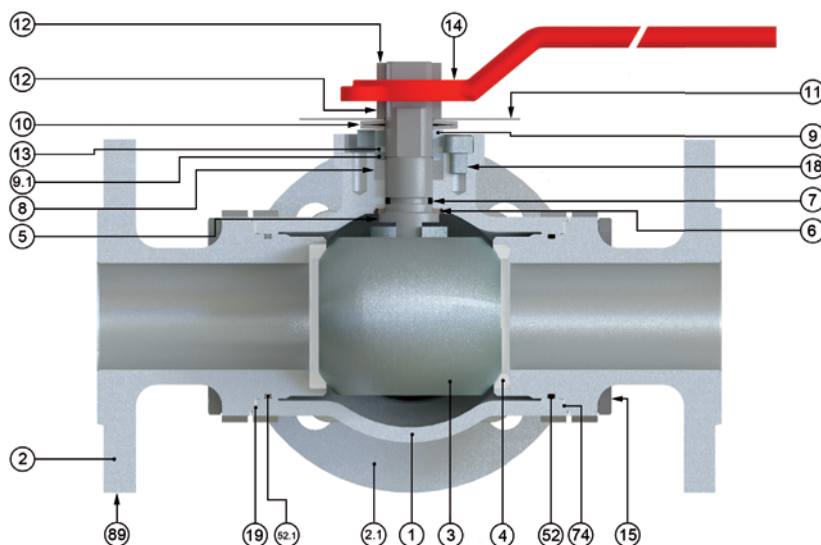
Certifications

Company Certifications

- ISO9001 Quality Management System
- ISO14001 Environmental Management System
- AD2000-Merkblatt W0/A4
- API Monogram License 6D-0197, 600-0016

Product Certificates

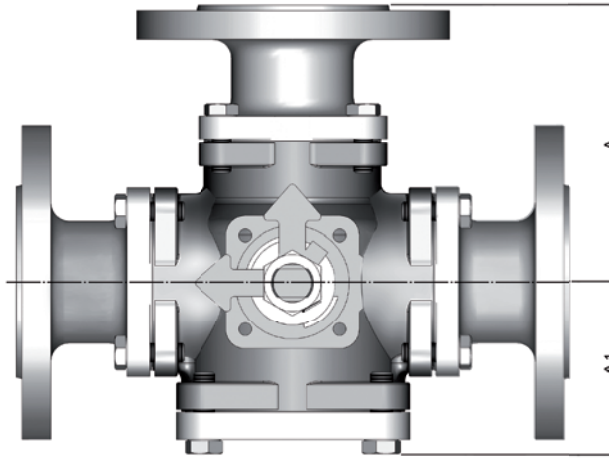
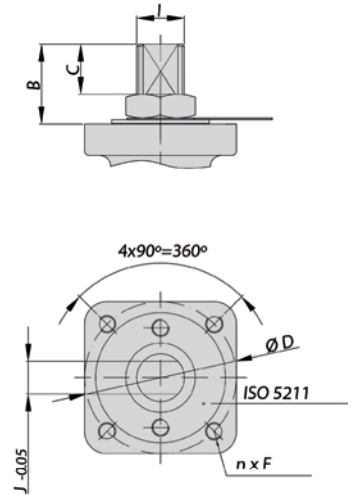
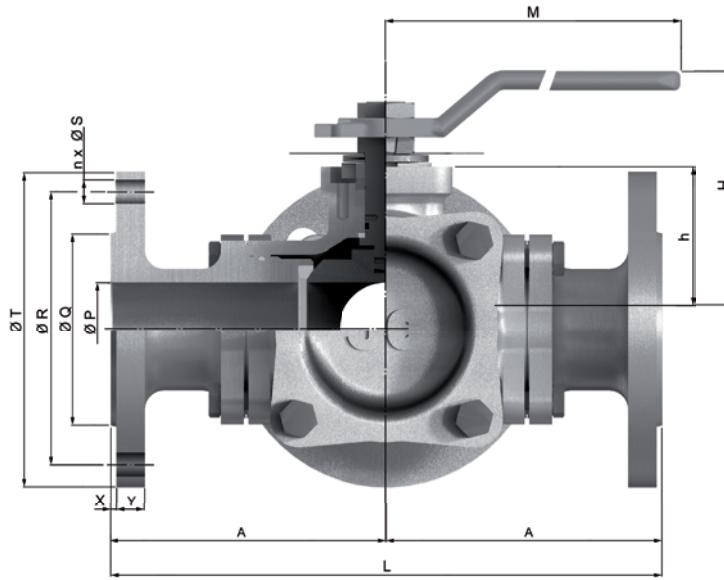
- PED 2014/68/EU - CE marking
- ATEX 2014/34/EU- (II2GD)
- Russian Federation Certificate TRCU 10, TRCU 12, TRCU 32
- Food processing and pharmaceutical industry FDA, USP CLASS VI COMPLIANCE (CE 1935/2004)
- CRN (Canadian Registration Number)



Other materials upon request

Item	Description	Material	
		A.I.T	I.I.T
1	Body	1.0619	1.4408
2	Body Connector	A 216 Gr. WCB (C ≤ 0,25%)	ASTM A 351 Gr. CF8M
2.1	Side Cover	1.0619	1.4408
3	Ball	A 351 Gr. CF8M	
4	Seat ring	PTFE	
5	Stem	A 479 Type 316	
6	Stem thrust seal	25%GF PTFE	
7	O-ring	FKM	
8	Stem packing	Graphite	
9	Gland	AISI 303	AISI 316
9,1	Stop plate	F114	
10	Disk spring	E.N.P Carbon steel	
11	Look. Wash. Pointer	Rilsan coated Carbon St.	
12	Gland nut	Zinc plated carbon steel	AISI 303
13	Antifriction washer	25%GF. PTFE	
14	Wrench	EN-GJL-250	
15	Bolt	DIN 933 Gr.8.8 Zinc Dichromate	DIN 933 A4-70
15.1	Bolt	DIN 933 Gr.8.8 Zinc Dichromate	DIN 933 A4-70
18	Stop bolt	A4-70	
19	Body cover seal	PTFE	
52	O-ring	FKM	
52.1	O-ring	FKM	
74	Body connector seal	PTFE	
89	Identification plate	Stainless St.	

ANSI Ball Valves Flowating



Note:
Raised Face: Acc. MSS SP-6

* Weight in Kg * Dimensions in mm

Series 915N (Class 150)

DN	ØP	L	A	A1	H	h	M	ØT	ØR	ØQ	X	Y	n x ØS	WEIGHT	TORQUE
1"	25	212	106	70	96	60	170	110	79.4	50.8	2	9,6	4x15,9	8	38
1 1/2"	40	262	131	80	121	72	200	125	98.4	73	2	12,7	4x15,9	17	70
2"	50	290	145	90	134	85	350	150	120.7	92.1	2	14,3	4x19,1	25	97
2 1/2"	65	325	162,5	107	180	101	350	180	139.7	104.8	2	15,9	4x19,1	34	140
3"	80	370	185	117	200	122	465	190	152.4	127	2	17,5	4x19,1	51	220
4"	100	430	215	148	240	146	475	230	190.5	157.2	2	22,3	8x19,1	77	500
6"	150	500	250	194	280	182	855	280	241.3	215.9	2	23,9	8x22,2	138	800
8"	200	600	300	270	325	255	855	345	298.5	269.9	2	27	8x22,2	214	850

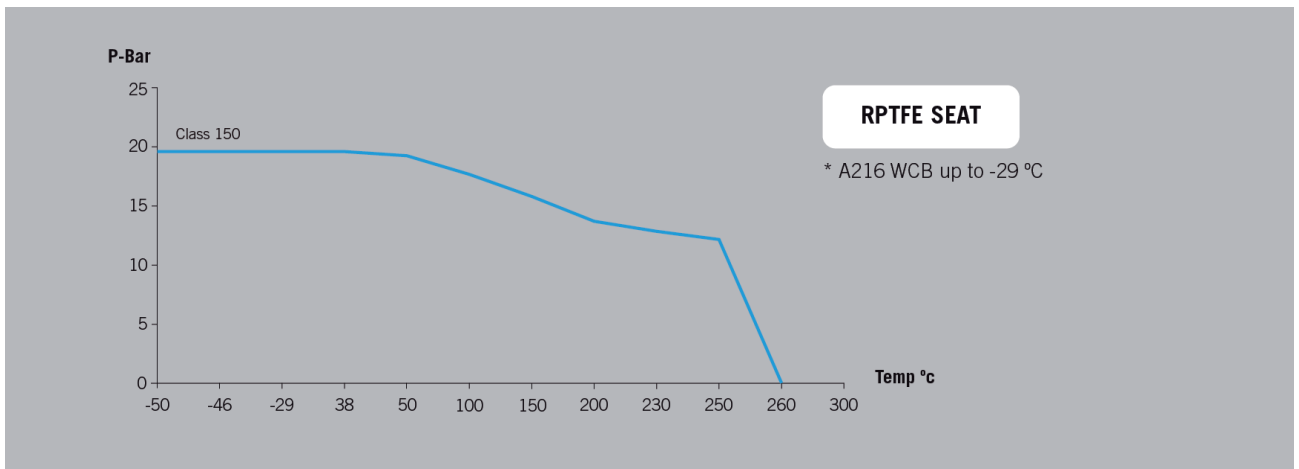
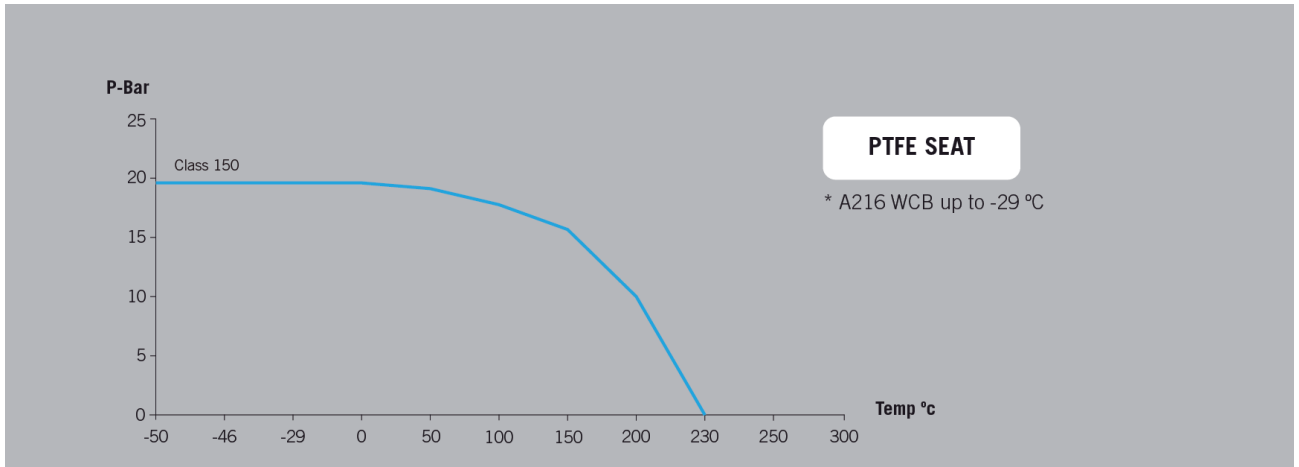
Free Stem Dimensions

DN	ISO 5211	B	C	ØD	n x F	l	J
1"	F05	22	12,2	50	4xM6	M12x1.5	8
1 1/2"	F07	33	19,2	70	4xM8	M18x1.5	12
2"	F07	34	20,2	70	4xM8	M22x1.5	15
2 1/2"	F10	34	19,2	102	4xM10	M22x1.5	15
3"	F10	45	27,7	102	4xM10	M28x1.5	19
4"	F12	59	32,2	125	4xM12	M36x1,5	24
6"	F14	69	41	140	4xM16	M48x3	32
8"	F14	69	67	140	4xM16	M48x3	32

Differential Pressure 150 Lbs

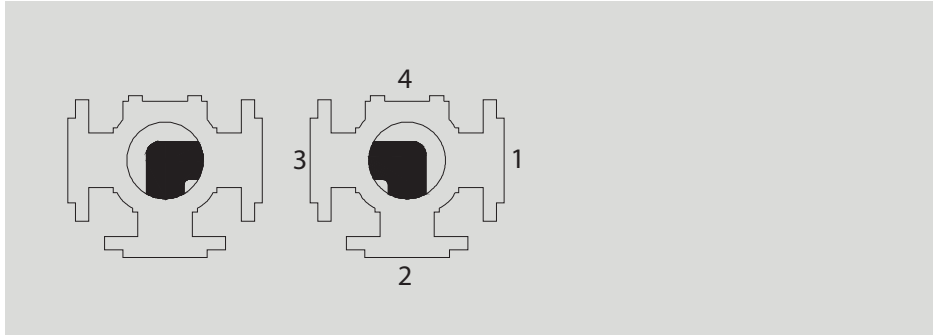
DN	BTO	RTO	ETO	BTC	RTC	ETC	MAST
1/2"	-	-	-	-	-	-	-
3/4"	-	-	-	-	-	-	-
1"	26	13	16	20	13	21	27
1 1/4"	-	-	-	-	-	-	-
1 1/2"	65	33	39	49	33	52	92
2"	79	40	47	59	40	63	174
2 1/2"	140	70	84	105	70	112	174
3"	155	78	93	116	78	124	355
4"	440	220	264	330	220	352	734
6"	744	372	446	558	372	595	1.740
8"	1.300	650	780	975	650	1.040	1.740

Pressure – Temperature Charts

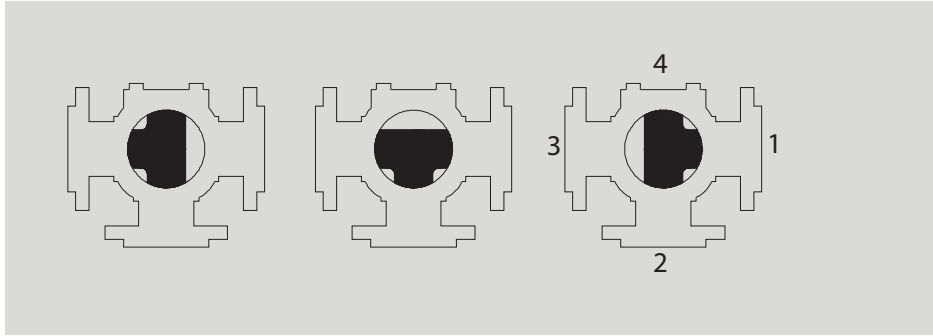


ANSI Ball Valves Flowing

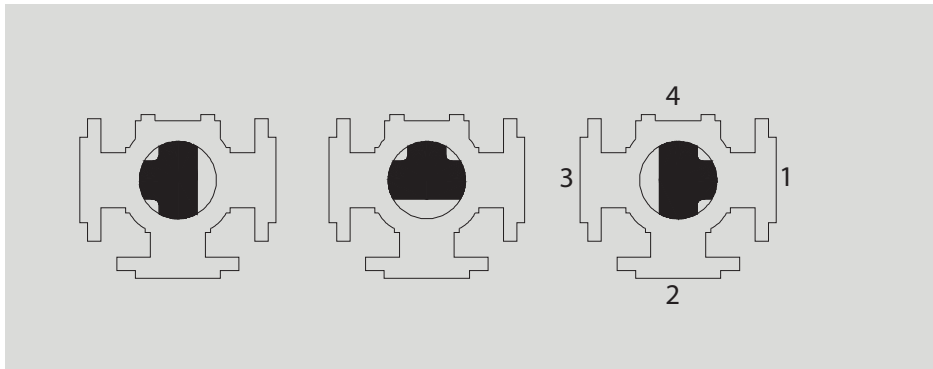
3 WAY L PORT



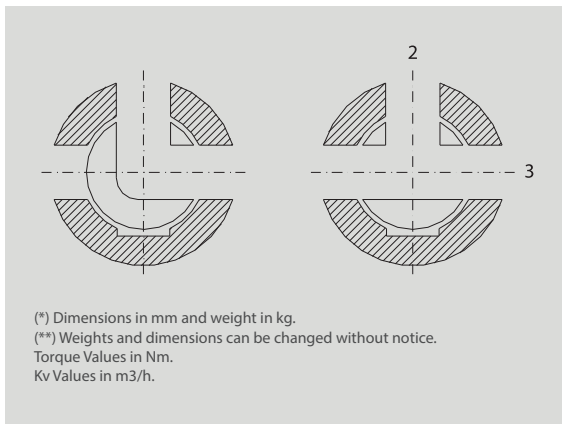
3 WAY T PORT



3 WAY INVERTED PORT



Kv Values in m³/h



DN	PORT L	PORT T	
		PORT 2	PORT 3
25	24	22	54
40	58	59	154
50	78	80	264
65	140	142	496
80	282	316	746
100	376	378	1335
150	736	797	2583
200	1241	953	4408

ANSI Ball Valves Flowing



Simple Stem Extension



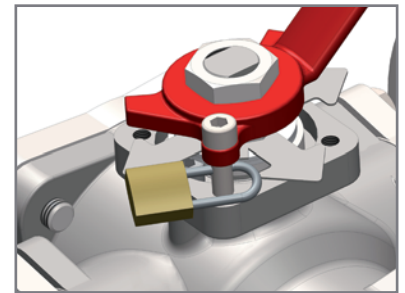
Standard Stem Extension



Other Seat materials



Stainless Steel Lever



Locking Device



Oval Handwheel
Available from 1/2" to 2"



Manual and Declutchable
Gears



Pneumatic or Hydraulic
Scotch Yoke Actuators



Valve Automation option
available on Request