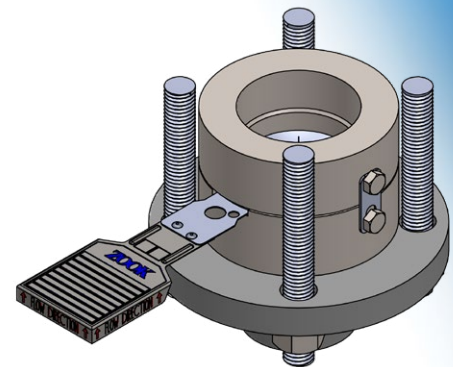
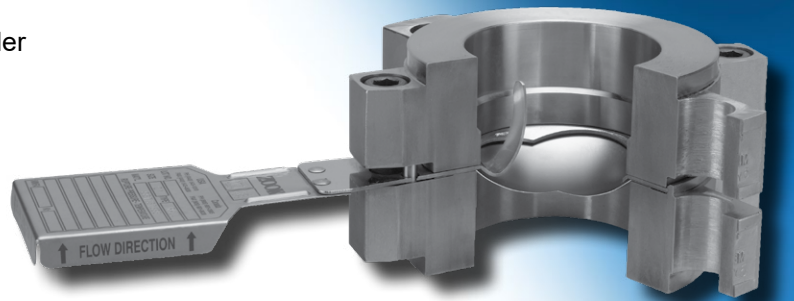
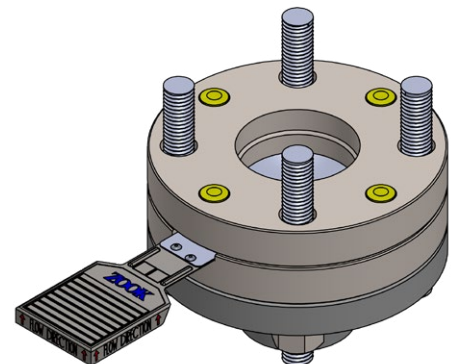


Features / Benefits

- RAH Series offers one unique holder design that fits with multiple types of ZOOK Reverse-Acting metal rupture disks (RA4, RA6, RA8, RAX)
- Pre-Torque Design allows for:
 - a) Pre-assembly of a rupture disk into a holder prior to field installation
 - b) Removal of the assembly from the piping system for inspection without disturbing the seal integrity of the rupture disk
 - c) Pre-torque bolts properly seat the disk by engaging the holder bite
- Disk Dome is contained within inlet holder, which prevents damaging the disk during installation into mating flanges
- Locating Pin allows only reverse-acting type disks to be mounted into holder
- Fluoropolymer coated socket head cap screws resists corroding to holder assembly and provides easy removal without special sockets
- Polyethylene cap screw covers prevents debris from building up in cap screw head
- Sizes 1" thru 12"
- Standard holder materials: Carbon Steel, 316, Hastelloy
- Holder information is permanently affixed to the O.D. of holder
- Bubble tight metal-to-metal bite and disk seal
- Flow direction arrows on disk tag and holder provides permanent visual verification that holder assembly is properly oriented in the piping system
- Flange class and type specific, guards against installing an assembly into mating flanges with a different pressure rating than the rupture disk holder
- Positioning hole in mounting lug is located in the exact position as the mating flange and allows for proper alignment. It can also be used as an extra "hand" when installing into horizontal piping.
- For custom materials and alternative flanges (types/ratings) ZOOK offers custom inserts (RAHI) or full flanges (RAH7)



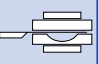

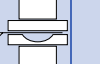
RAHI (Insert holder)



RAH7 (Full flanged pre-torque holder)

RAH Series

Holder Dimensions / Specifications

Nominal Size	Available ANSI Flange Class*	Minimum Height [†] (in. / mm)	Standard Height (in)			Weight (Short Pattern) (lbs / kgs)	Number of Cap Screws	Cap Screws Hex Size	Gauge tap (NPT) (in. / mm)
			Short Pattern RAH 	Mid Pattern RAH-LP1 	Long Pattern RAH-LP2 				
1"	150/300/600	1-9/16	2-1/8	2-11/32	2-9/16	3.8 lbs	4	3/16	1/8, 1/4
25 mm		39.68	53.97	59.53	65.09	1.72 kgs	4	4.76	3.17, 6.35
1-1/2"	150/300/600	1-11/16	2-1/4	2-29/32	3-9/16	6.4 lbs	4	1/4	1/8, 1/4
40 mm		42.86	57.15	73.82	90.49	2.9 kgs	4	6.35	3.17, 6.35
2"	150/300/600	2-5/32	2-23/32	3-15/16	5-5/32	9.0 lbs	4	5/16	1/8, 1/4
50 mm		54.77	69.06	100	130.97	4.08 kgs	4	7.94	3.17, 6.35
3"	150/300/600	2-9/16	3-1/8	4-15/16	6-23/32	16.6 lbs	4	3/8	1/8, 1/4
80 mm		65.09	79.38	125.41	170.66	7.5 kgs	4	9.53	3.17, 6.35
4"	150/300	2-19/32	3-5/32	5-31/32	8-3/4	22.5 lbs	4	3/8	1/8, 1/4
100 mm		65.88	80.17	151.61	222.25	10.2 kgs	4	9.53	3.17, 6.35
6"	150/300	3-7/32	3-7/16	6-25/32	10-3/32	36.00 lbs	8	5/16	1/8, 1/4
150 mm		81.76	87.31	172.24	256.38	16.33 kgs	8	7.94	3.17, 6.35
8"	150/300	4-1/16	4-5/8	9-1/32	13-15/32	53.4 lbs	8	3/8	1/8, 1/4
200 mm		103.19	117.48	229.39	342.11	24.22 kgs	8	9.53	3.17, 6.35
10"	150	4-3/4	5-21/32	11-5/32	16-11/16	99.8 lbs	12	3/8	1/8, 1/4
250 mm		120.65	143.67	283.37	423.86	45.27 kgs	12	9.53	3.17, 6.35
12"	150/300	5-1/16	6-17/32	13-5/32	19-25/32	136.00 lbs	12	1/4	1/8, 1/4
300 mm		128.59	165.89	334.17	502.44	61.69 kgs	12	6.35	3.17, 6.35

Notes:
 * Holders are also available to fit DIN and JIS flanging. Contact ZOOK for details.
[†] Minimum height specified in table above will maintain the pre-torque feature of the rupture disk holder. Refer to ASME/ANSI B16.5 pipe flanges and flange fittings (Table 2) for max allowable pressure/temperature ratings per flange class.

Options / Accessories

Mid/Long Pattern

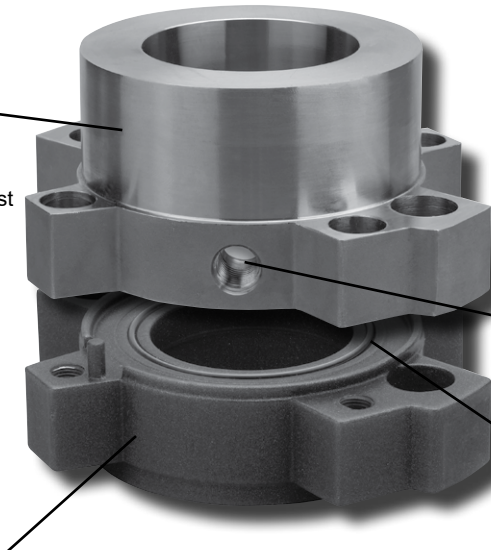
- Can be machined to meet existing piping specifications
- Prevents rupture disk membrane from protruding beyond the outlet holder after burst

Replacement Fluoropolymer Coated Cap Screws



Cap Screw Specifications**	
Type	Socket Head
Material	Alloy Steel
Hardness	38-43-RC
Threads	UNRF 3A

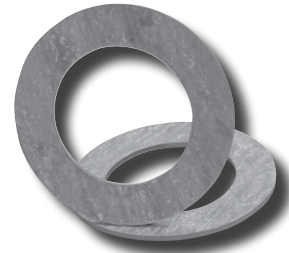
** Required to meet Pre-Torque specifications



Special Coating

- Fluoropolymer Teflon Sintered (FS)
- Provides durable, non-stick surface (Requires O-Ring Seal)

Gaskets



Gauge Tap

- Used for monitoring pressure / temperature at rupture disk location
- Also available on inlet holder

O-Ring Seal

- Teflon encapsulated Viton



Teflon - TM The Chemours Company
 Hastelloy - TM Haynes International

RAH_092018

Visit us at www.zookdisk.com

SERVING AMERICA, CENTRAL & SOUTH AMERICA

16809 Park Circle Drive
 Chagrin Falls, Ohio 44022
 United States

Toll Free: +1 800 543 1043
 Phone: +1 440 543 1010
 Fax: +1 440 543 4930
 E-mail: sales@zookdisk.com

SERVING EUROPE, MIDDLE EAST & AFRICA

Navigation House, Bridge St.
 Killamarsh, Sheffield, S21 1AL
 United Kingdom

Phone: +44 (0) 1909 560999
 Fax: +44 (0) 1909 560860
 E-mail: sales.europe@zookdisk.com

SERVING CANADA

4400 South Service Road
 Burlington, Ontario, L7L 5R8
 Canada

Toll Free: +1 800 370 6057
 Phone: +1 905 681 2885
 Fax: +1 905 681 8838
 E-mail: sales.canada@zookdisk.com

SERVING ASIA PACIFIC

Unit No. 23A-05, Menara Landmark
 No.12, Jalan Ngee Heng
 80000 Johor Bahru, Johor,
 Malaysia

Phone: +60 (7) 2910099
 Fax: +60 (7) 2910096
 E-mail: sales.asia@zookdisk.com



Safety through knowledge and performance.