

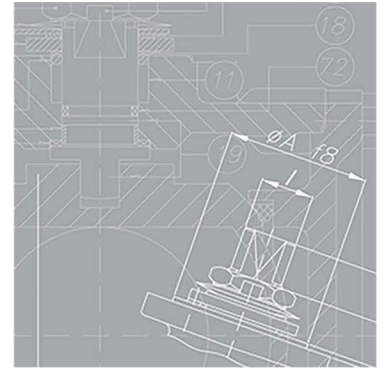
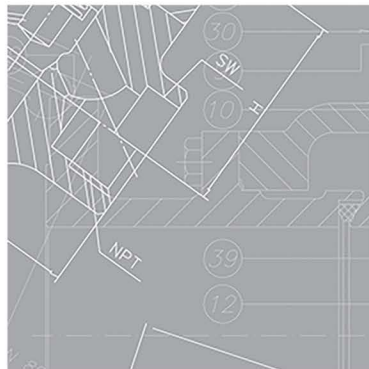
Technical Datasheet

ANSI Ball Valves

800

JC
VALVES

The quality option



sales@jc-valves.com

www.jc-valves.com

ANSI Ball Valves Floating



TA-LUFT



6D-0197
600-0016



II 2 G Dc
ATEX

EN-ISO 15848-1

FUGITIVE
EMISSIONS

- Valve design: Full Bore API 6D
- Body design: ASME VIII Div.1
- Shell thickness: ASME 16.34
- Flanges: ASME B16.5 Raised Face
- Face to face dimensions: ASME B16.10 Long Pattern
- Marking: API 6D / CE- PED
- Fire Safe certification: ISO 10497
- Pressure testing: API 598 - EN 12266 - API 6D
- Other: ISO 14001 - ATEX
- Shell finishing quality: MSS SP 55

Certifications

Company Certificates

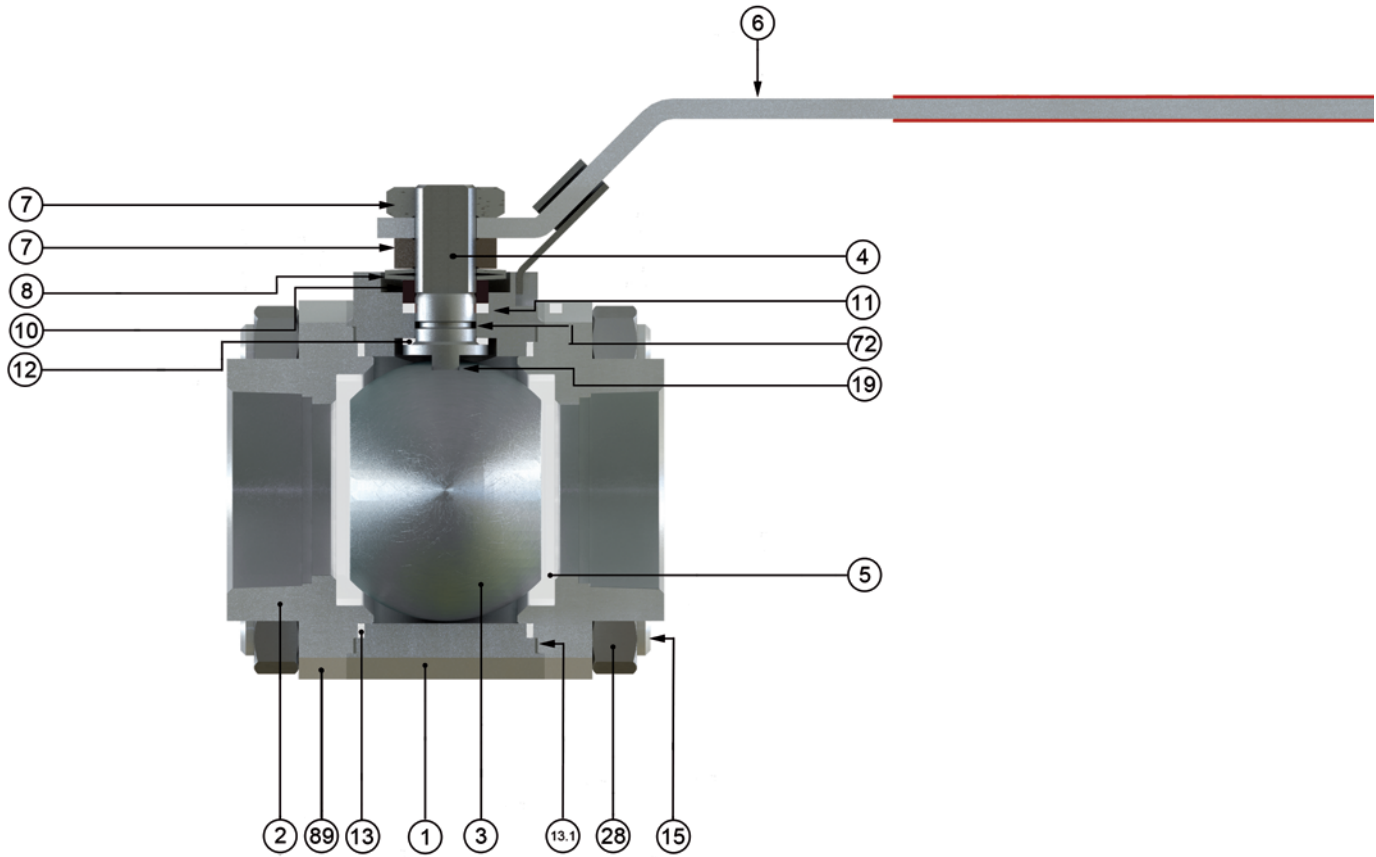
- ISO9001 Quality Management System
- ISO14001 Environmental Management System
- AD2000-Merkblatt W0/A4
- API Monogram License 6D-0197, 600-0016

Product Certificates

- Fire Safe API 607, ISO 10497, API 6FA
- Fugitive Emissions ISO 15848, TA LUFT (VDI 2440)
- PED 2014/68/EU - CE marking
- ATEX 2014/34/EU- (II2GD)
- Russian Federation Certificate TRCU 10, TRCU 12, TRCU 32
- CRN (Canadian Registration Number)

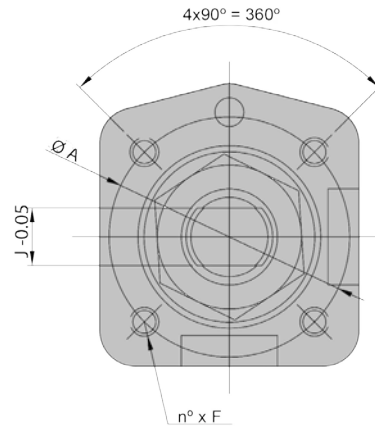
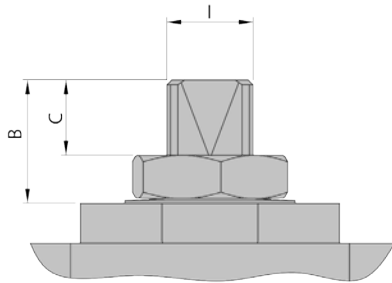
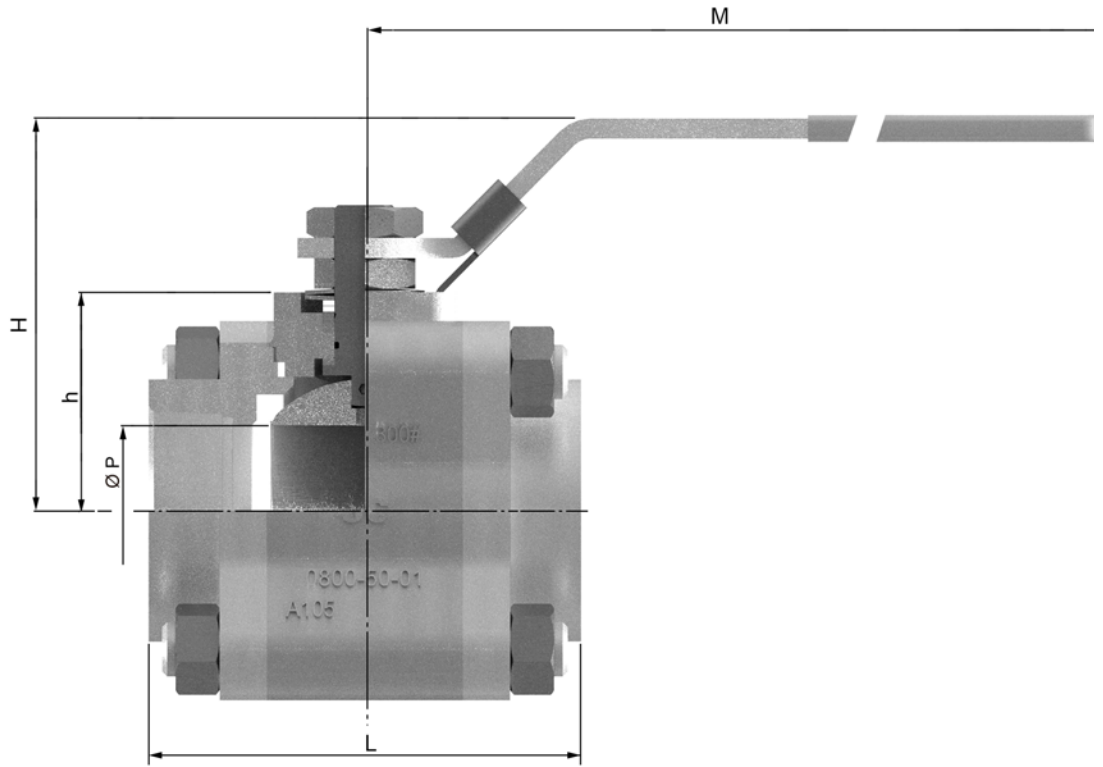
ANSI Ball Valves

F l o a t i n g



Item	Description	Material		
		A.I.CG.	I.I.CG.	L.I.CG.
1 / 2	Body / Body Connector	ASTM A105N	A 479 Tp.316L	ASTM A 352 LF2 CL.1
3	Ball		A 479 Tp.316	
4	Stem		A 276/479 Tp.316	
5	Seat ring		RPTFE	
6	Wrench	(DN-1½" & 2") Cast carbon Steel - (DN-3/8" ~ 1") Carbon Steel + Niquel Plated		
7	Gland nut	Zinc plated carbon steel	AISI 303	
8	Disk spring	Carbon St.	A 666 TP.301	
10	Gland	AISI 303	QISI 316	
11	Gland packing	Graphite		
12	Stem thrust seal	25% G.F. PTFE		
13	Body connector seal	AISI 316L + PTFE + Graphite		
13.1	"O" Ring	FKM		
14	Stop pin	Carbon St.	Stainless St.	
15	Stud	ASTM A 193 B7M Zinc Dichromate	ASTM A 193 B8M	
19	Antistatic device	Stainless Steel		
28	Nut	ASTM A 193 B7M Zinc Dichromate	ASTM A 193 B8M	ASTM A 193 L8M
72	"O" Ring	FKM		
89	Identification plate	Stainless St.		

ANSI Ball Valves Floating



Series 800 (Class 800)

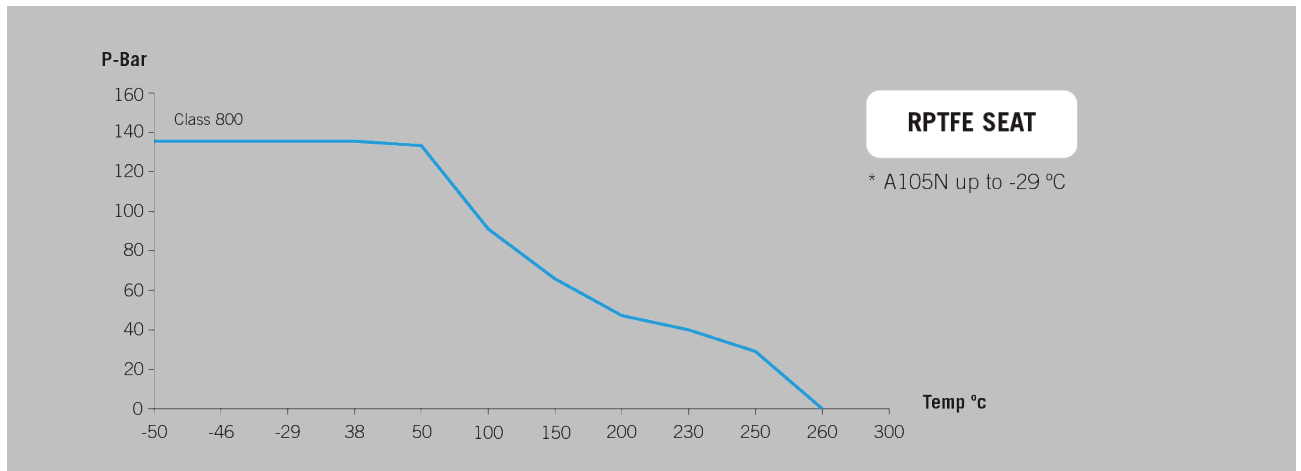
* Weight in Kg * Dimensions in mm

DN	ØP	L	h	H	M	B	C	ØA	n° X F	I	J	WEIGHT
1/4"	9.5	68	29	60	170	11	7.5	36	4xM5	M10X1	7	0.9
3/8"	9.5	68	29	60	170	11	7.5	36	4xM5	M10X1	7	0.9
1/2"	15	72	31.4	62	170	13.3	9.5	36	4xM5	M10X1	7	1
3/4"	20	94	39	75	215	18.4	13.4	42	4xM5	M12X1.5	9.5	2
1"	25	106	41	78	215	21.4	15.7	42	4xM5	M12X1.5	9.5	2.5
1 1/4"	32	117	73	94	245	20.5	15	50	4xM6	M16X1.5	9.5	4
1 1/2"	40	125.5	55.7	99	245	33.3	26	50	4xM6	M16X1.5	9.5	5.6
2"	50	128	64	115	300	26	16.5	50	4xM6	M18X1.5	12	7.7

Differential Pressure 800 #

DN	BTO	RTO	ETO	BTC	RTC	ETC	MAST
1/4"	8	4	5	6	4	6	14
3/8"	8	4	5	6	4	6	14
1/2"	9	5	5	7	5	7	14
3/4"	18	9	11	14	9	14	26
1"	22	11	13	17	11	18	26
1.1/4"	40	20	24	30	20	32	60
1.1/2"	51	26	31	38	26	41	60
2"	75	38	45	56	38	60	92

Pressure – Temperature Charts



ANSI Ball Valves Flowing

Fig.800 Full Bore
BSP F / BSP F

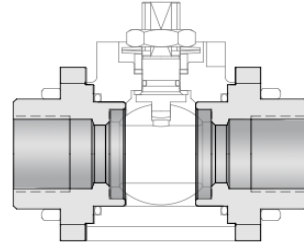


Fig.801 Full Bore
NPT F / NPT F

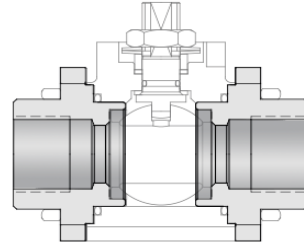


Fig.802 Full Bore
SW / SW

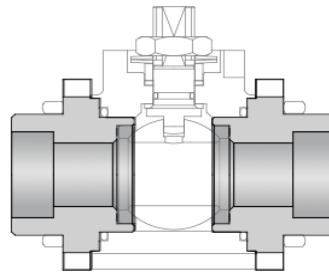


Fig.803 Full Bore
BW / BW

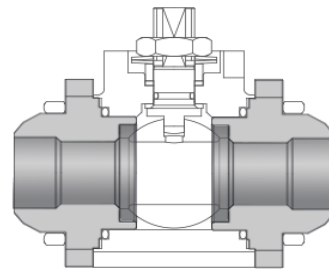


Fig.804 Full Bore
BW / NPT M

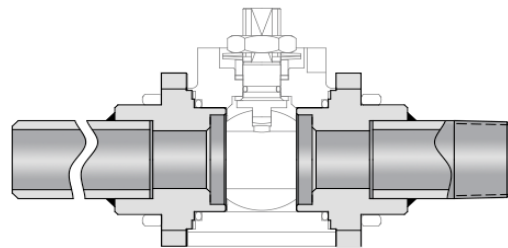
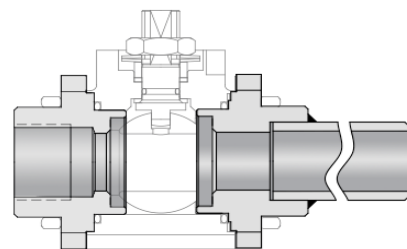


Fig.804H Full Bore
NPT F / BW



ANSI Ball Valves Flowing

Fig.805 Full Bore
NPT F / BSP F

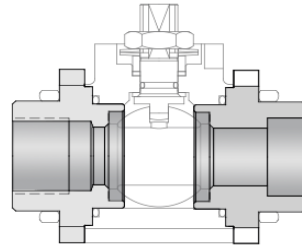


Fig.805TV Full Bore
NPT F / BSP M

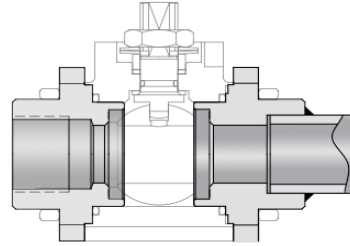


Fig.806 Full Bore
NPT M / NPT M

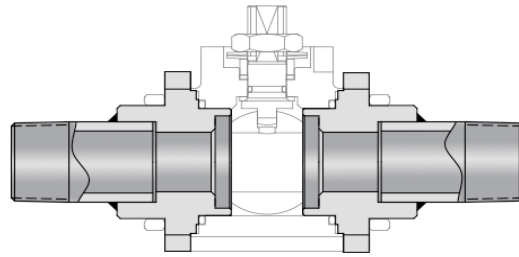


Fig.807 Full Bore
BW / BW

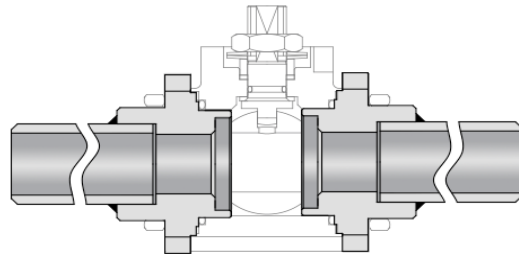


Fig.808 Full Bore
NPT M / NPT M

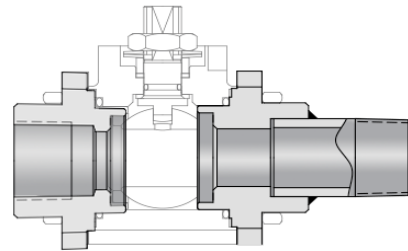
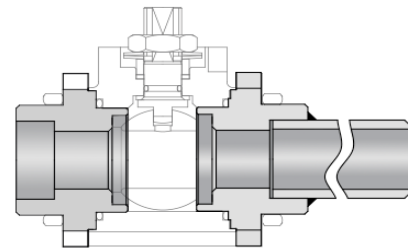


Fig.809 Full Bore
SW / BW



NOTES:

BSP F: BSP FEMALE PARALLEL THREAD - ACC. BS21
BSP M: BSP MALE PARALLEL THREAD - ACC. BS21

NPT F: NPT FEMALE THREAD - ACC. ASME B16,11
NPT M: NPT MALE THREAD - ACC. ASME B1,20

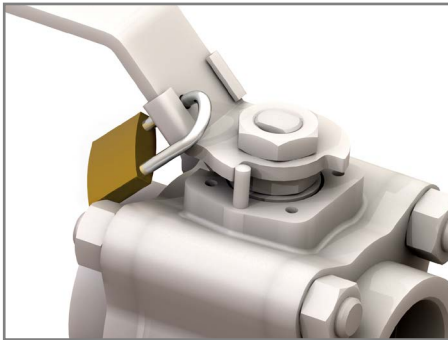
ANSI Ball Valves
Flow Rating



Simple Stem Extension



Standard Stem Extension



Locking Device



Oval Hand Wheel



Valve Automation option
available on Request