

# Ball Valves PN 16/40 AIT & IIT Construction (Carbon Steel and Stainless Steel)



## Fig. 256/254

Manufacturing program:

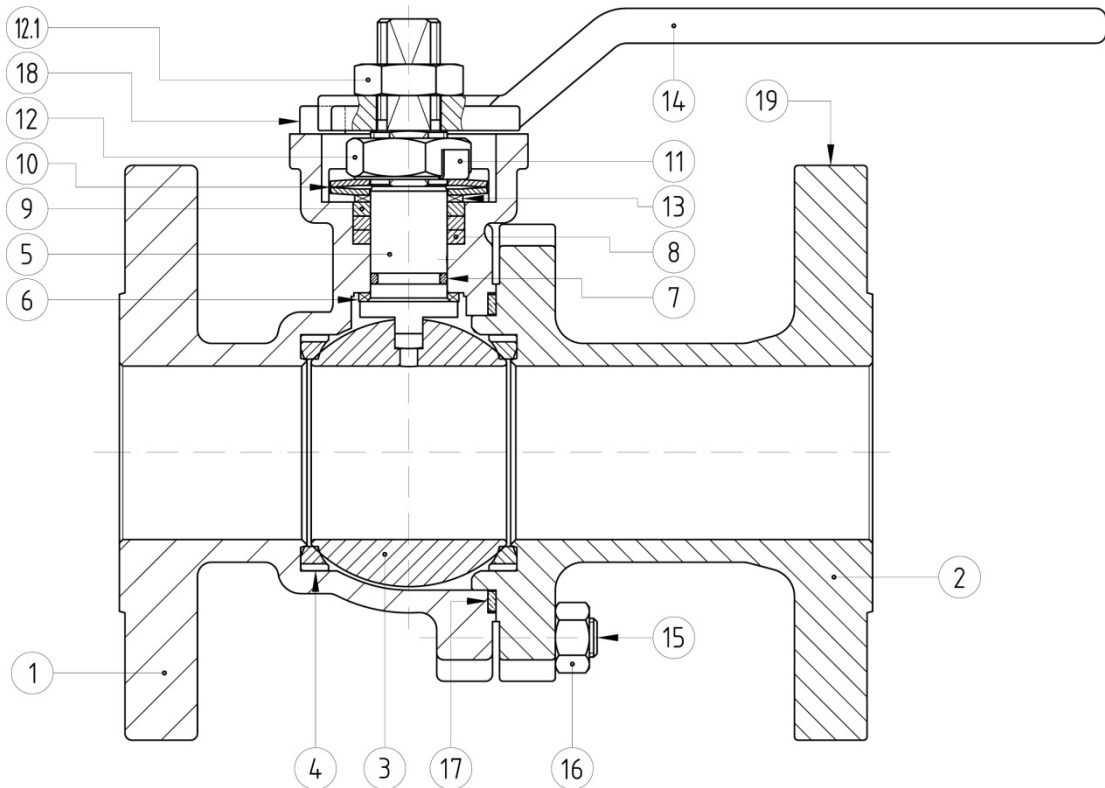


Quality & Environmental Management:

## Ball Valves PN 16/40

DN 65 - 200 PN 16

DN 15 - 150 PN 40

*Parts and materials*

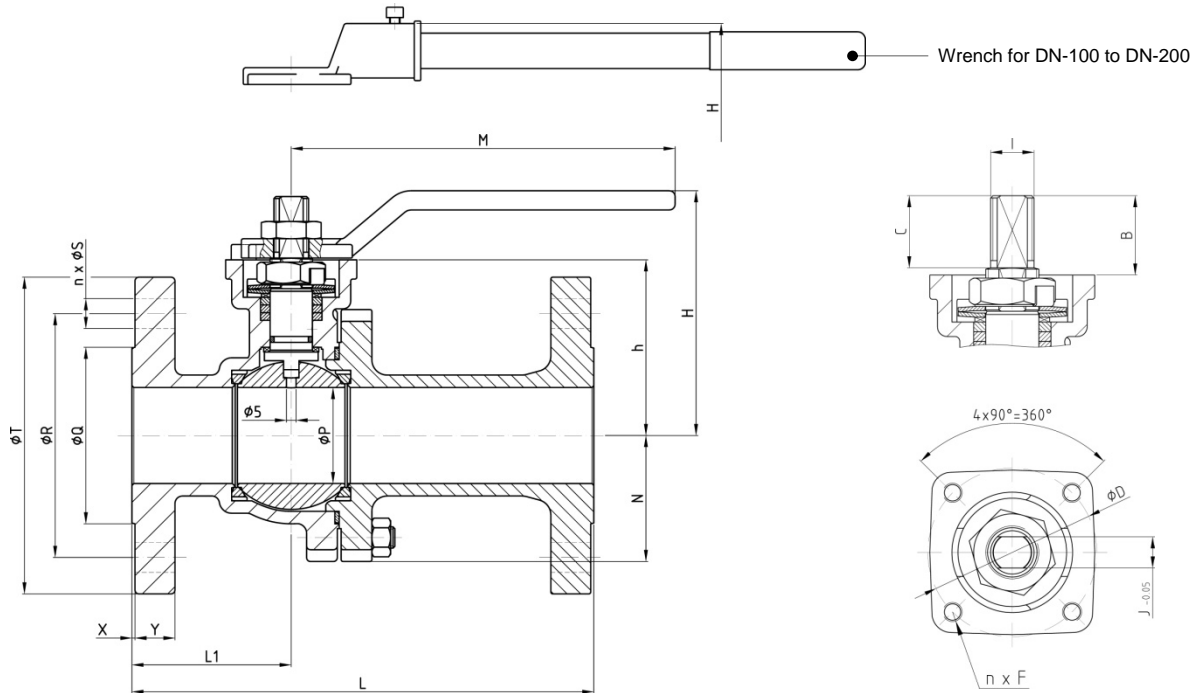
Item	Description	Material	
		AIT	IIT
1	Body	1.0619	1.4408
2	Body connector	1.0619	1.4408
3	Ball	A 351 Gr. CF8M (DN-15 ~ 25 A 479 Tp.316)	
4	Seat ring	PTFE	
5	Stem	A 479 Tp.316	
6	Stem thrust seal	25% G.F. PTFE	
7	"O" Ring	FKM	
8	Gland packing	Graphite	
9	Gland	AISI 303	
10	Disk spring	Inconel - 718	
11	Locking w washer	AISI 304	
12	Gland nut	AISI 303	
12.1	Nut	AISI 303	
13	Antifriction washer	25% G.F. PTFE	
14	Wrench	A 216 Gr. WCB	
15	Stud	A 193 Gr. B7M	A 193 Gr. B8M
16	Nut	A 194 Gr. 2HM	A 194 Gr. 8M
17	Spiralwound gasket	AISI 316L + PTFE + Graphite	
18	Bolt	A2	
19	Identification plate	Stainless St.	

# Ball Valves PN 16/40

DN 65 - 200 PN 16

DN 15 - 150 PN 40

## Dimensions



### Series 256 (PN 16)

DN	ØP	L	L1	ØQ	ØR	n x ØS	ØT	X	Y	h	N	H	M	Weight
65	65	170	72	122	145	4 x 18	185	2	16	104	78	140	350	13,3
80	78	180	73	138	160	8 x 18	200	2	18	118,5	87	190	450	19,1
100	100	190	83	158	180	8 x 18	220	2	18	144	108	192,5	466	25,6
125	125	325	120	188	210	8 x 18	250	2	20	184	134	240	775	47,6
150	151	350	135	212	240	8 x 22	285	2	20	203	152	259	775	63,5
200	203	400	200	268	295	12 x 22	340	2	21	250	202	319	845	115,3

(\*) Dimensions in mm

### Series 254 (PN 40)

DN	ØP	L	L1	ØQ	ØR	n x ØS	ØT	X	Y	h	N	H	M	Weight
15	15	115	53	45	65	4 x 14	95	2	14	41	31	68	170	2,4
20	20	120	52	58	75	4 x 14	105	2	16	43	33	70	170	3,2
25	25	125	52	68	85	4 x 14	115	2	16	58,5	39	86	170	4,1
32	32	130	54	78	100	4 x 18	140	2	16	63,5	43	89,5	170	5,8
40	40	140	55	88	110	4 x 18	150	2	16	86,5	48	122,5	215	8,1
50	50	150	61	102	125	4 x 18	165	2	18	91,5	63	127,5	215	10,6
65	65	170	72	122	145	8 x 18	185	2	20	104	78	140	350	14,8
80	78	180	73	138	160	8 x 18	200	2	22	118,5	87	190	450	20,6
100	100	190	83	158	190	8 x 22	235	2	22	144	108	192,5	466	29,2
125	125	325	120	188	220	8 x 26	270	2	24	184	134	240	775	53,6
150	151	350	135	212	250	8 x 26	300	2	26	203	152	259	775	74,7

(\*) Dimensions in mm

### Actuator connection

DN	ISO 5211	B	C	ØD	n x F	I	J
15	F 05	18	11	50	4 x M6	M10	7
20	F 05	18	11	50	4 x M6	M10	7
25	F 05	22	21	50	4 x M6	M12	8
32	F 05	22	21	50	4 x M6	M12	8
40	F 07	33	32	70	4 x M8	M18	12
50	F 07	33	32	70	4 x M8	M18	12
65	F 07	34	33	70	4 x M8	M22	15
80	F 10	34	33	102	4 x M10	M22	15
100	F 10	45	43,5	102	4 x M10	M28	19
125	F 12	56	54,5	125	4 x M12	M36	24
150	F 12	56	54,5	125	4 x M12	M36	24
200	F 14	69	67	140	4 x M16	M48	32

(\*) Dimensions in mm



# Ball Valves PN 16/40

DN 65 - 200 PN 16

DN 15 - 150 PN 40

## General Characteristics, Torque & KV, P&T Rating

GENERAL CHARACTERISTICS	Fig.256/254 Series SFF	Split Body	Floating Ball	Full Bore
<b>DESIGN STANDARDS</b>				
Valves design	EN 1983	ISO 17292		
Body design	EN 12516			
Shell thickness	ISO 17292			
Flanges	EN 1092-1			
Face to face dimensions	EN 558-1 Series 27			
Actuator mounting flange	ISO 5211	DIN 3337	EN 15081	
Shell finishing quality	MSS SP55			
Marking	EN 19	CE - PED		
<b>TESTS AND CERTIFICATES</b>				
Quality Assurance	ISO 9001	CE-PED		
Fire Safe certification	ISO 10497: 2004			
Pressure testing	ISO 17292	EN 12266		
Other	ISO 14001	ATEX		

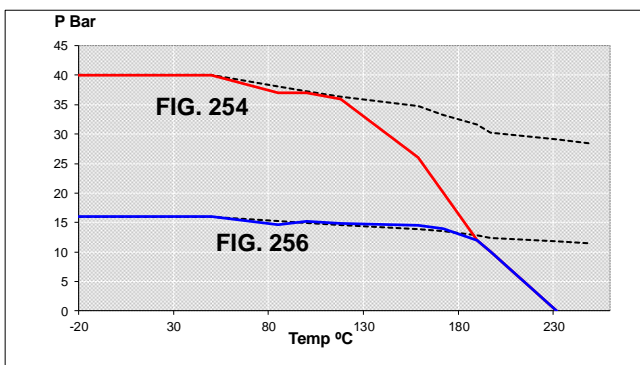
### Torque Values in Nm

VALVE SIZE	AT DIFFERENTIAL PRESSURE		VALVE SIZE	AT DIFFERENTIAL PRESSURE	
	16 bar	40 bar		16 bar	40 bar
DN 15		8	DN 65	51	74
DN 20		12	DN 80	77	118
DN 25		14	DN 100	116	136
DN 32		22	DN 125	159	204
DN 40		27	DN 150	215	408
DN 50		50	DN 200	493	

### Kv Values in m³/h

DN 15	DN 20	DN 25	DN 32	DN 40	DN 50
20	40	75	130	170	270
DN 65	DN 80	DN 100	DN 125	DN 150	DN 200
550	1000	1650	3000	4200	9000

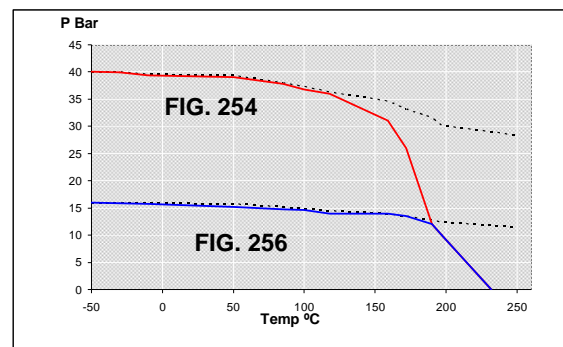
### Pressure-Temperature



For 1.0619 only.

### PTFE SEATS

### Pressure-Temperature



For 1.4408 only.

For other materials consult EN 1092-1