

Liquid ring vacuum pumps

in compact design



SIHI® Pumps

LEM 91, LEM 126, LEM 161

LEL 91, LEL 126, LEL 161

with threaded connection

Pressure range: 33 to 1013 mbar
Suction volume flow: 24 to 195 m³/h

CONSTRUCTION

SIHI liquid ring vacuum pumps are displacement pumps of uncomplicated and robust construction with the following particular features:

- non-polluting due to nearly isothermal compression
- oil-free, as no lubrication in the working chamber
- handling of nearly all gases and vapours
- small quantities of entrained liquid can be handled
- easy maintenance and reliable operation
- low noise and nearly free from vibration
- wide choice of material, therefore applicable nearly everywhere
- protection against cavitation as standard
- incorporated dirt drain
- incorporated central drain
- no metallic contact of the rotating parts

The SIHI liquid ring vacuum pumps LEM/LEL are single-stage ones.

APPLICATION

Handling and exhausting of dry and humid gases; entrained liquid can be handled during normal duty. The pumps are applied in all fields where a pressure of 33 to 900 mbar must be created by robust vacuum pumps.



NOTE

During operation the pump must continuously be supplied with service liquid, normally water, in order to eliminate the heat resulting from the gas compression and to replenish the liquid ring, because part of the liquid is leaving the pump together with the gas. This liquid can be separated from the gas in a liquid separator (see catalogue part accessories).

It is possible to reuse the service liquid. The pumps are equipped with a device by which the contaminated service liquid can continuously be drained during operation (dirt drain), if necessary.

The direction of rotation is clockwise, when looking from the drive on the pump.

GENERAL TECHNICAL DATA

Pump type	unit	LEM 91 LEL 91	LEM 126 LEL 126	LEM 161 LEL 161
Speed	50 Hz 60 Hz	rpm rpm	2900 3500	1450 1750
Maximum overpressure on compression	bar	LEM 0.3 / LEL 0.5		
Permissible pressure difference between suction and discharge side	max. min.	LEM 1.1 / LEL 1.3 0.2		
Hydraulic test pressure (overpressure)	bar	3		
Moment of inertia of rotating parts of pump and water content	kg · m²	0.007	0.009	0.070
Noise level at 80 mbar suction pressure	dB (A)	72 (67)*		65
Maximum gas temperature	dry saturated	°C °C 200 100		
Service liquid	°C	80 10		
Maximum permissible temperature	mm²/s	4		
Maximum viscosity	kg/m³	1200		
Maximum density	litre	0.5	0.6	2.0
Liquid capacity up to middle of shaft	bar	0.2		
Maximum flow resistance of the heat exchanger				

The combination of several limiting values is not admissible.

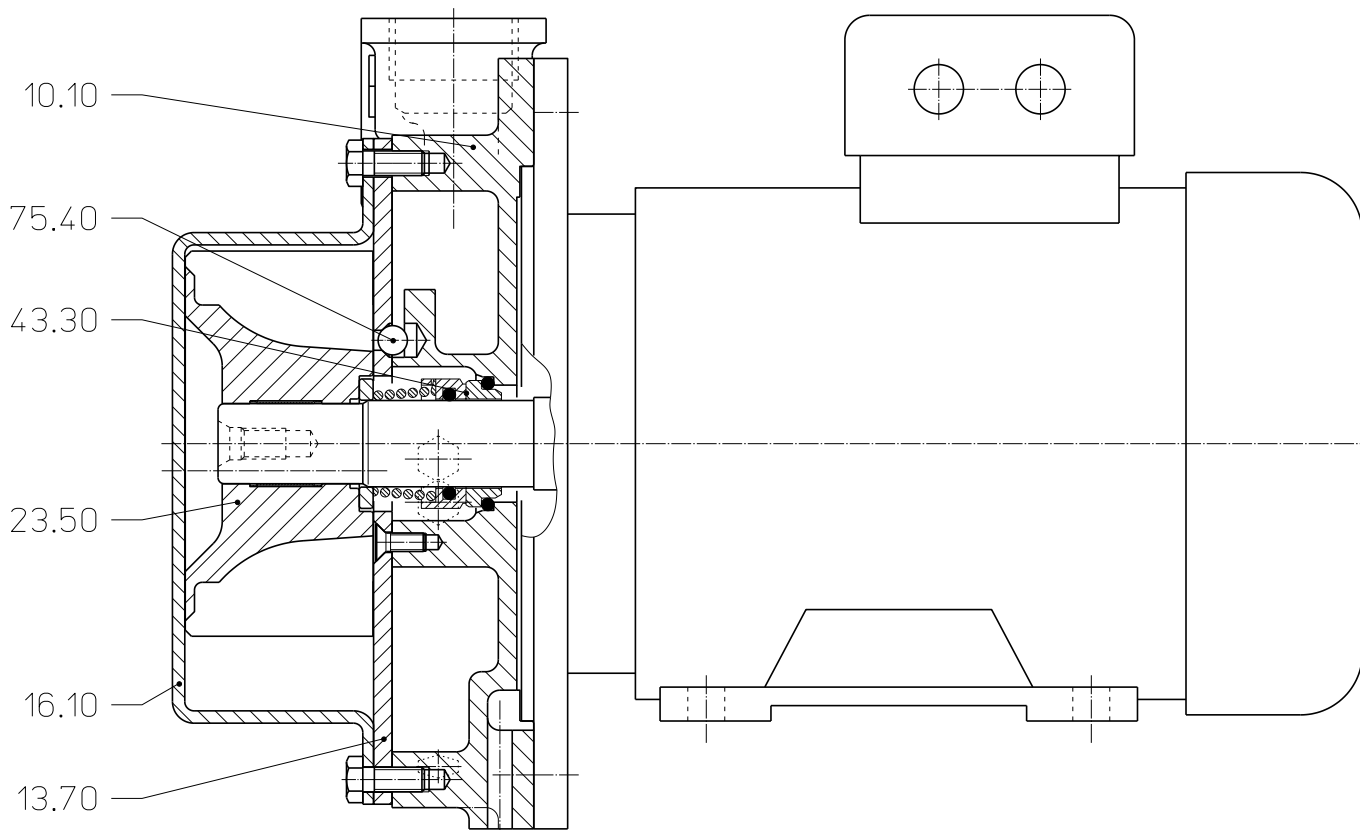
* Value in parenthesis for measuring with sound insulation cup

Materials

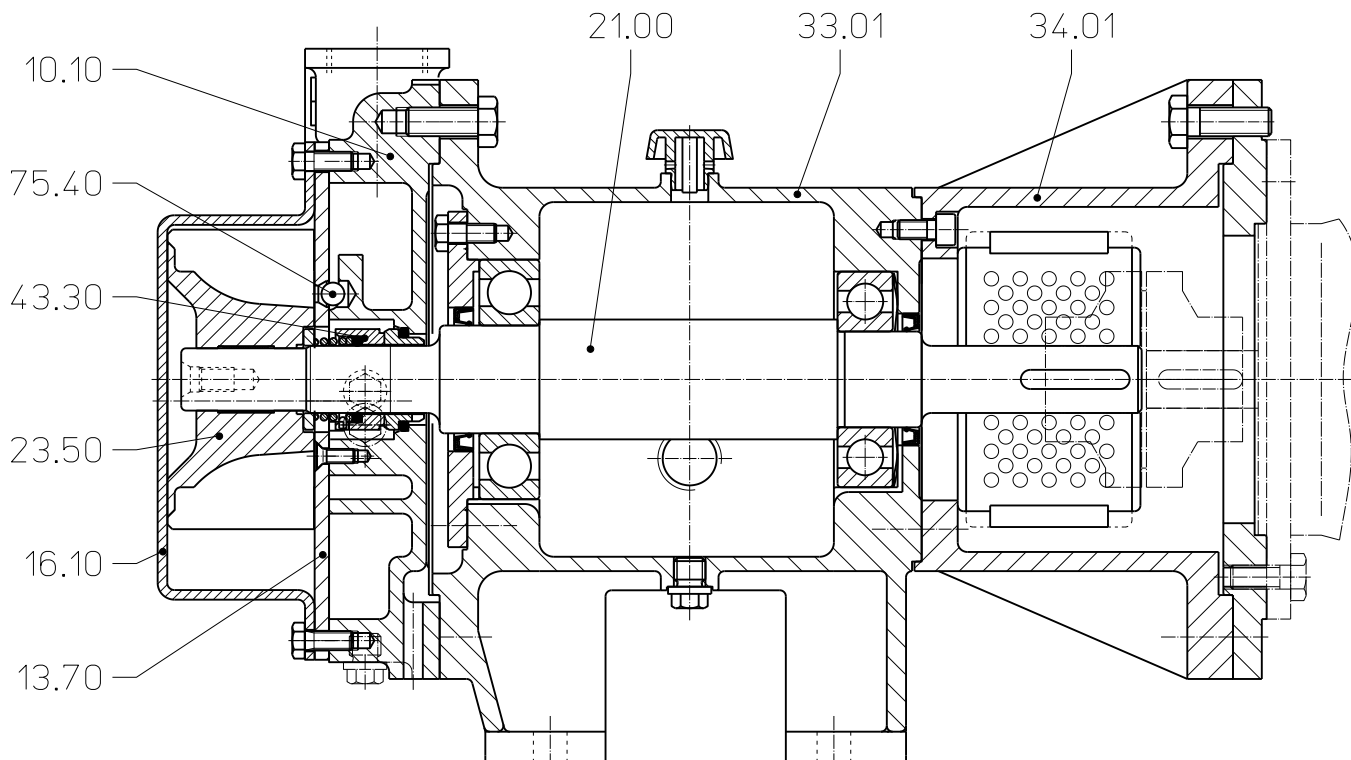
Item	COMPONENTS	MATERIALS	
		0K	4B
10.10	Vacuum casing	0.6025	1.4408
13.70	Guide disc	1.4301	1.4404
16.10	Cover		
21.00 *	Shaft	1.4571	
23.50	Vane wheel impeller	1.4308	1.4408
33.01 *	Bearing bracket	0.6025	0.6025 (stove enamelling)
34.01 *	Motor carrier		
43.30	Mechanical seal	Cr-steel / carbon / butadiene rubber	Cr Ni Mo-steel / carbon / Viton
75.40	Valve balls	Polyamide A	PTFE

* only for LEL 91, 126, 161

Cut-away diagram LEM 91, 126, 161



Cut-away diagram LEL 91, 126, 161



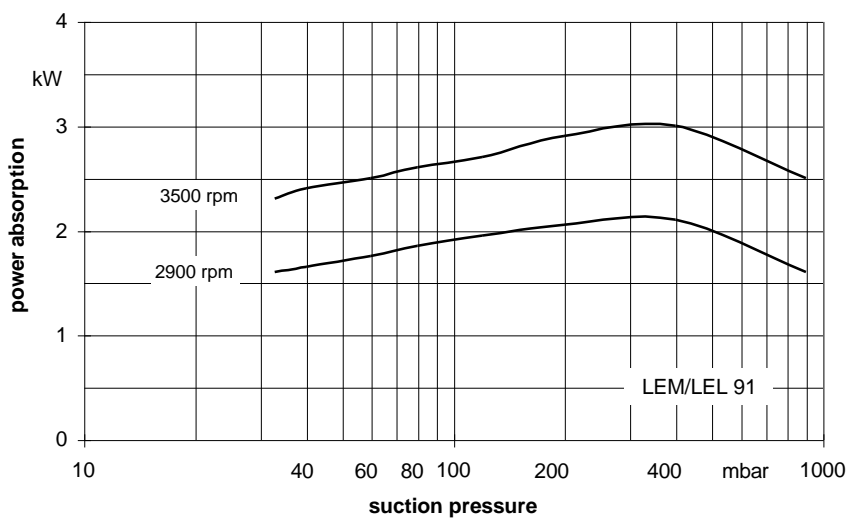
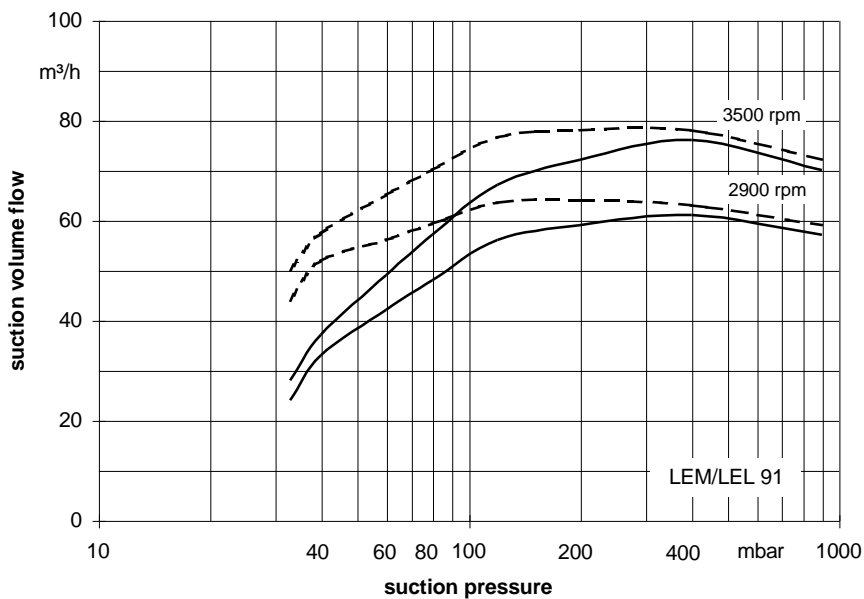
Make-up Liquid Consumption in [m³/h] dependent upon suction pressure, speed, drive type and temperature difference.

suction pressure in [mbar]		33			120			200			400						
Pump type	speed [rpm]	KB			FB	KB			FB	KB			FB				
		temperature difference [°C]				temperature difference [°C]				temperature difference [°C]							
		10	5	2		10	5	2		10	5	2		10	5	2	
LEM/LEL 91	2900	0.11	0.19	0.34	0.66	0.13	0.22	0.36	0.62	0.14	0.22	0.36	0.6	0.14	0.22	0.34	0.54
	3500	0.15	0.25	0.40		0.17	0.27	0.40		0.18	0.27	0.40		0.17	0.26	0.38	
LEM/LEL 126	2900	0.15	0.24	0.39	0.66	0.16	0.26	0.40	0.62	0.17	0.27	0.40	0.6	0.17	0.26	0.38	0.54
	3500	0.19	0.29	0.44		0.21	0.31	0.44		0.21	0.31	0.44		0.21	0.31	0.41	
LEM/LEL 161	1460	0.20	0.34	0.61	1.3	0.23	0.39	0.66	1.2	0.25	0.41	0.66	1.14	0.24	0.39	0.60	0.96
	1750	0.26	0.43	0.72		0.30	0.48	0.75		0.31	0.49	0.74		0.31	0.47	0.68	

FB = total service liquid flow rate on once-through system

KB = flow of make-up water when combined with partial recirculation liquid at a temperature of 10 °C, 5 °C, 2 °C, warmer than make-up water

Performance Characteristics LEM 91 / LEL 91



The operating data is valid under the following conditions:

- process media:
 - dry air: 20°C
 - steam saturated air: 20°C
- service liquid:
 - water: 15°C

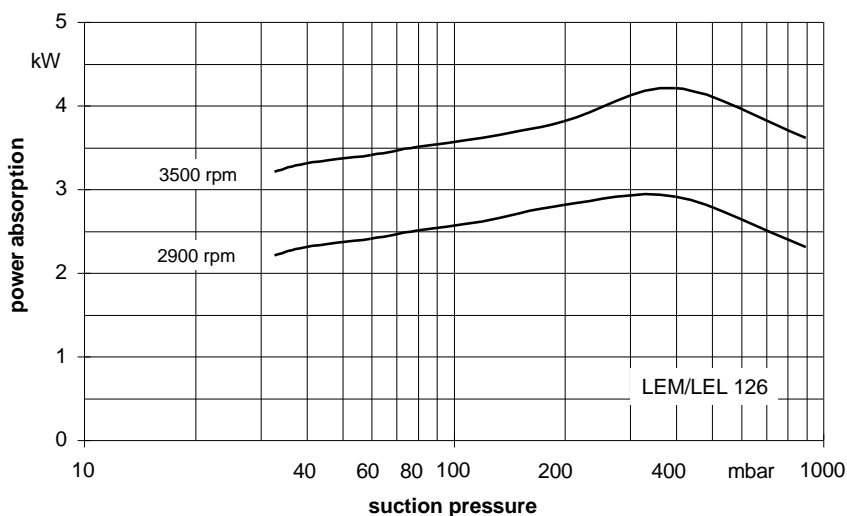
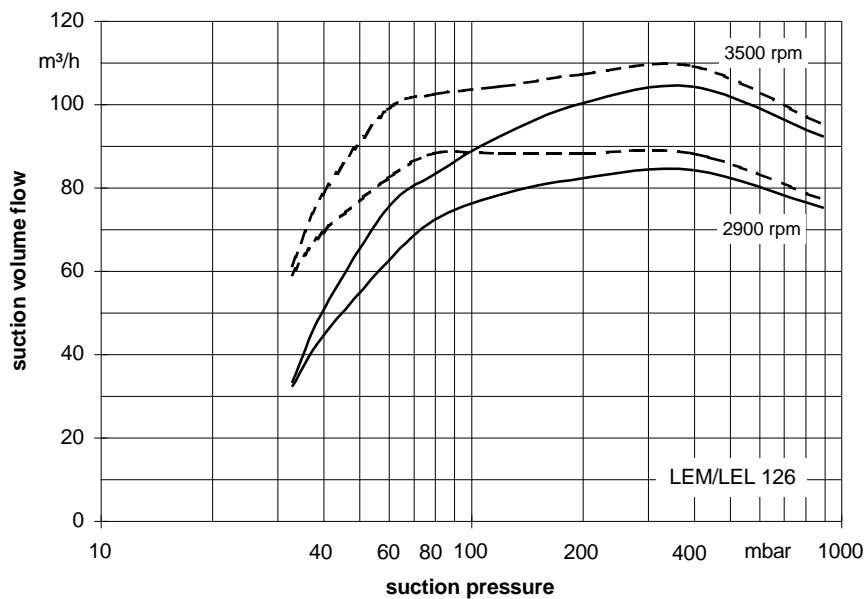
Pressure of gas to be evacuated: 1013 mbar (atmospheric pressure)

The suction volume is related to the suction pressure.

Tolerance on operating data is 10%.

The maximum consumption of make-up water occurs at the lowest suction pressure.

Performance Characteristics LEM 126 / LEL 126



The operating data is valid under the following conditions:

- process media:
 - dry air: 20°C —————
 - steam saturated air: 20°C - - - - -
- service liquid:
 - water: 15°C

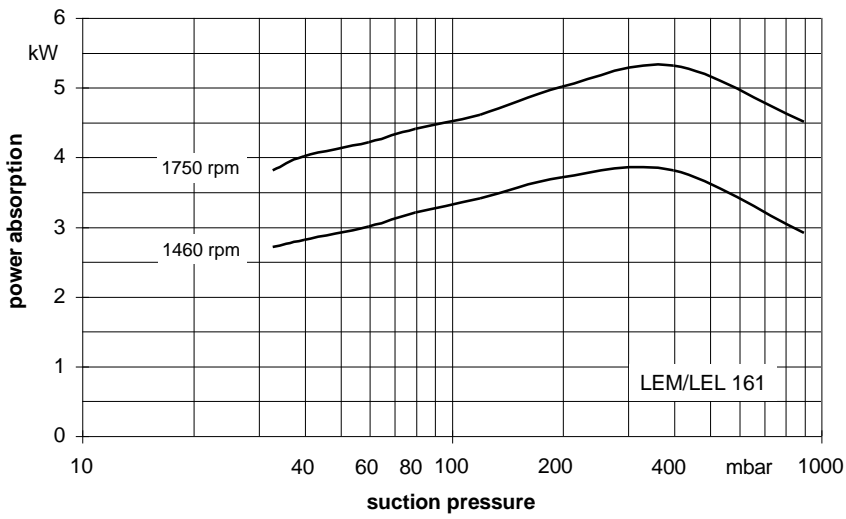
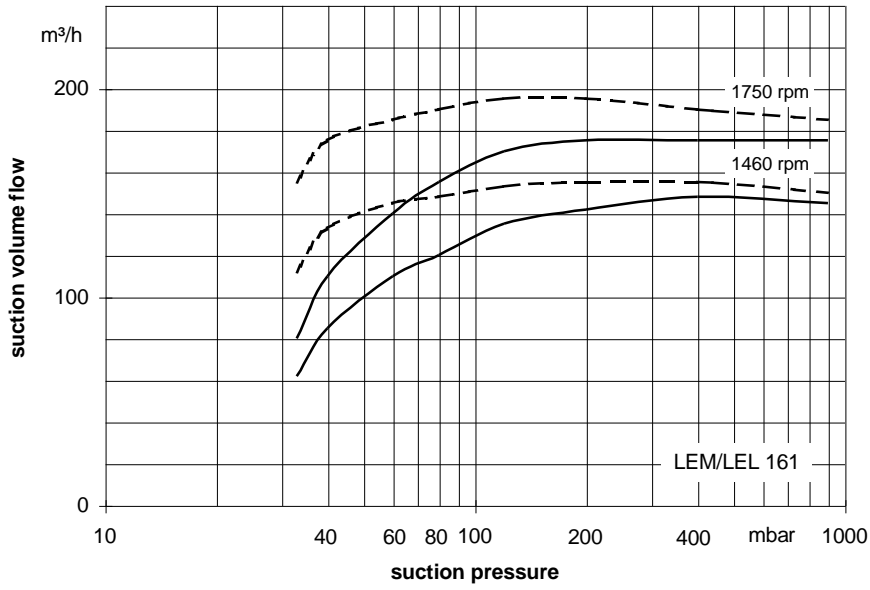
Pressure of gas to be evacuated: 1013 mbar (atmospheric pressure)

The suction volume is related to the suction pressure.

Tolerance on operating data is 10%.

The maximum consumption of make-up water occurs at the lowest suction pressure.

Performance Characteristics LEM 161 / LEL 161



The operating data is valid under the following conditions:

- process media:
 - dry air: 20°C
 - steam saturated air: 20°C
- service liquid:
 - water: 15°C

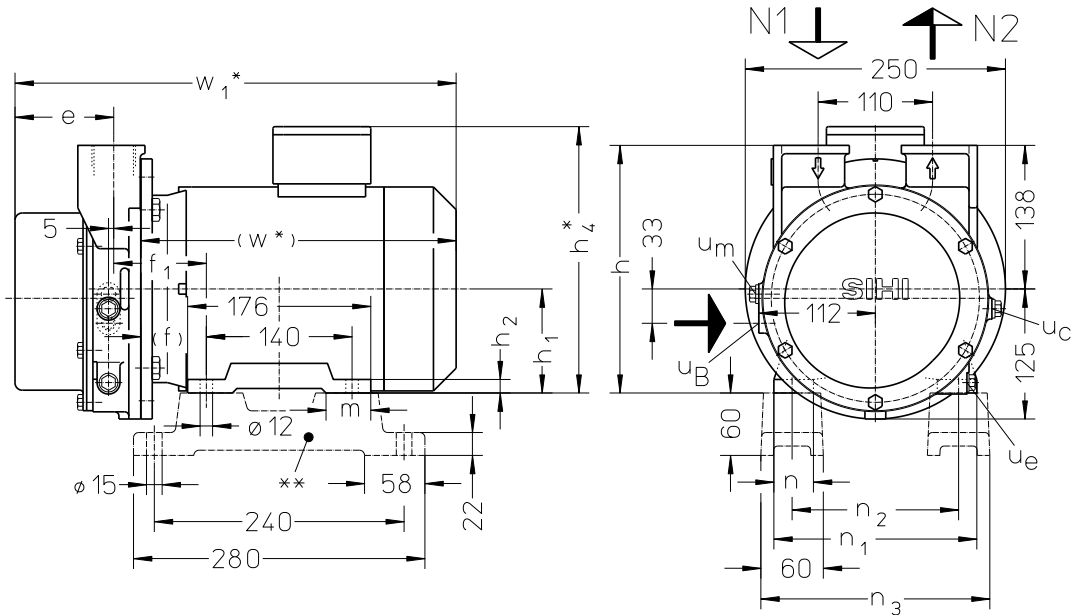
Pressure of gas to be evacuated: 1013 mbar (atmospheric pressure)

The suction volume is related to the suction pressure.

Tolerance on operating data is 10%.

The maximum consumption of make-up water occurs at the lowest suction pressure.

Dimensions LEM 91, 126, 161



N 1 = gas inlet G 1¼

N 2 = gas outlet G 1¼

u_B = connection for service liquid G ¼

u_c = connection for cavitation protection G ¼

u_e = connection for drain G ¼

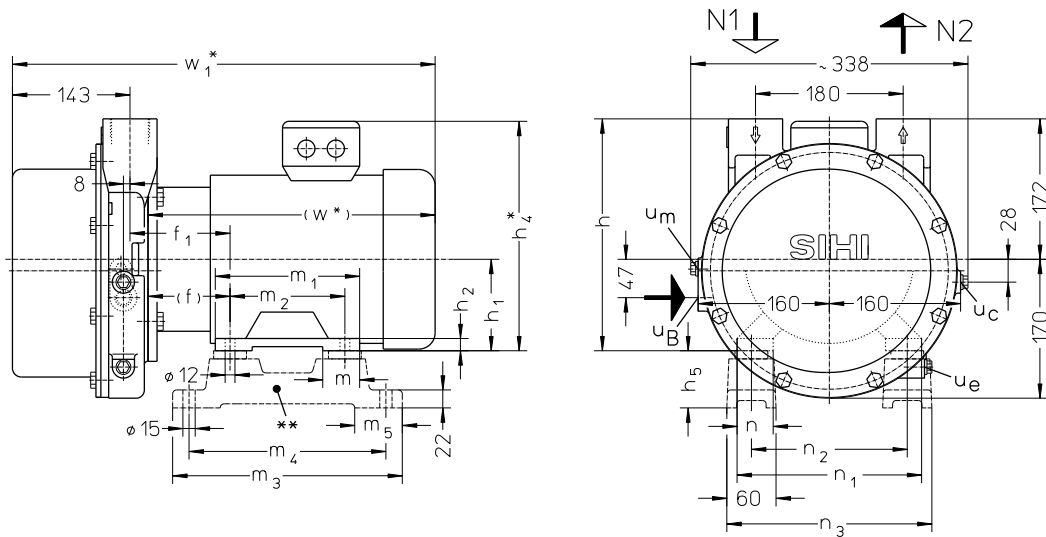
u_m = connection for pressure gauge G ¼

	electric motor IP 55		e [mm]	f [mm]	f ₁ [mm]	h [mm]	h ₁ [mm]	h ₂ [mm]	h ₄ * [mm]	m [mm]	n [mm]	n ₁ [mm]	n ₂ [mm]	n ₃ [mm]	w* [mm]	w ₁ * [mm]	approx. weight [kg]	
	size	50 Hz kW																60 Hz kW
LEM 91	100 L	2.2	-	91	63	89	238	100	13	253	43	38	195	160	220	303	420	35
		-	3.3													324	441	41
LEM 126	100 L	3.0	-	95	70	96	250	112	15	278	45	44	225	190	250	303	424	37
	112 M	-	4.5													320	441	44

other motors on request

* dimensions dependent upon motor supplier

** see list of accessories



N 1 = gas inlet G 1½

N 2 = gas outlet G 1½

u_B = connection for service liquid G ½

u_c = connection for cavitation protection G ¼

u_e = connection for drain G ¼

u_m = connection for pressure gauge G ¼

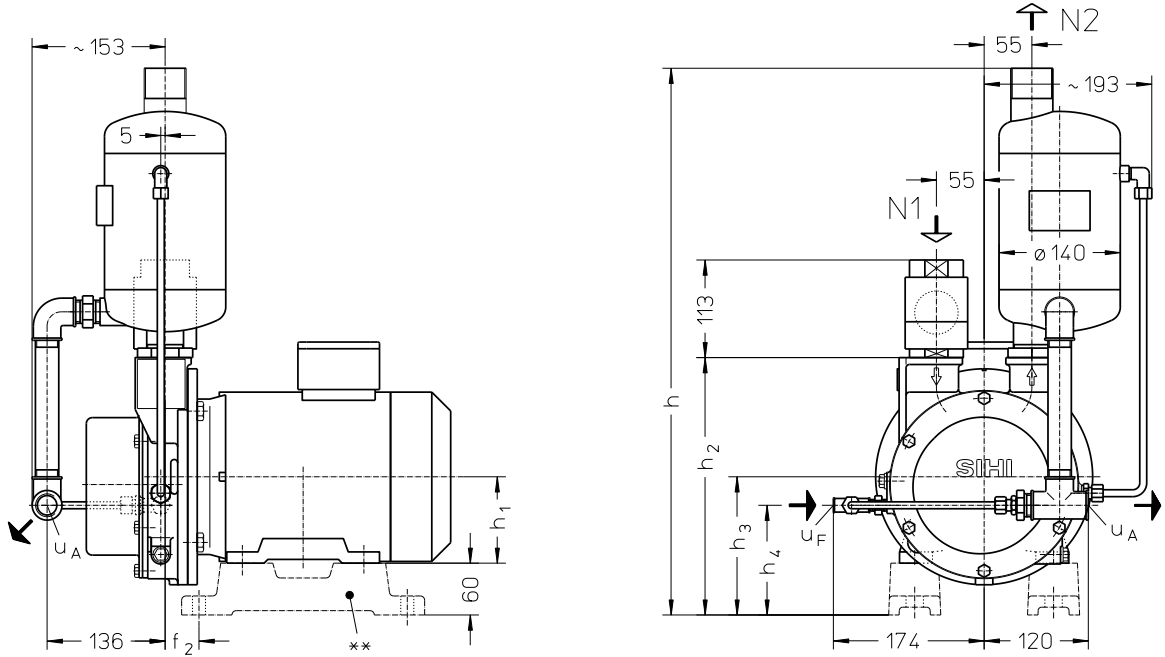
	electric motor IP 55		f [mm]	f ₁ [mm]	h [mm]	h ₁ [mm]	h ₂ [mm]	h ₄ * [mm]	h ₅ [mm]	m [mm]	m ₁ [mm]	m ₂ [mm]	m ₃ [mm]	m ₄ [mm]	m ₅ [mm]	n [mm]	n ₁ [mm]	n ₂ [mm]	n ₃ [mm]	w* [mm]	w ₁ * [mm]	approx. weight [kg]	
	size	50 Hz kW																					60 Hz kW
LEM 161	112 M	4.0	-	100	122	284	112	15	280	70	45	176	140	280	240	58	44	225	190	250	380	545	73
	132 M	-	6.0	110	132	304	132	18	330	60	88	218	178	320	278	-	55	256	216	276	461	626	119

other motors on request

* dimensions dependent upon motor supplier

** see list of accessories

Arrangement drawing LEM 91, 126, 161

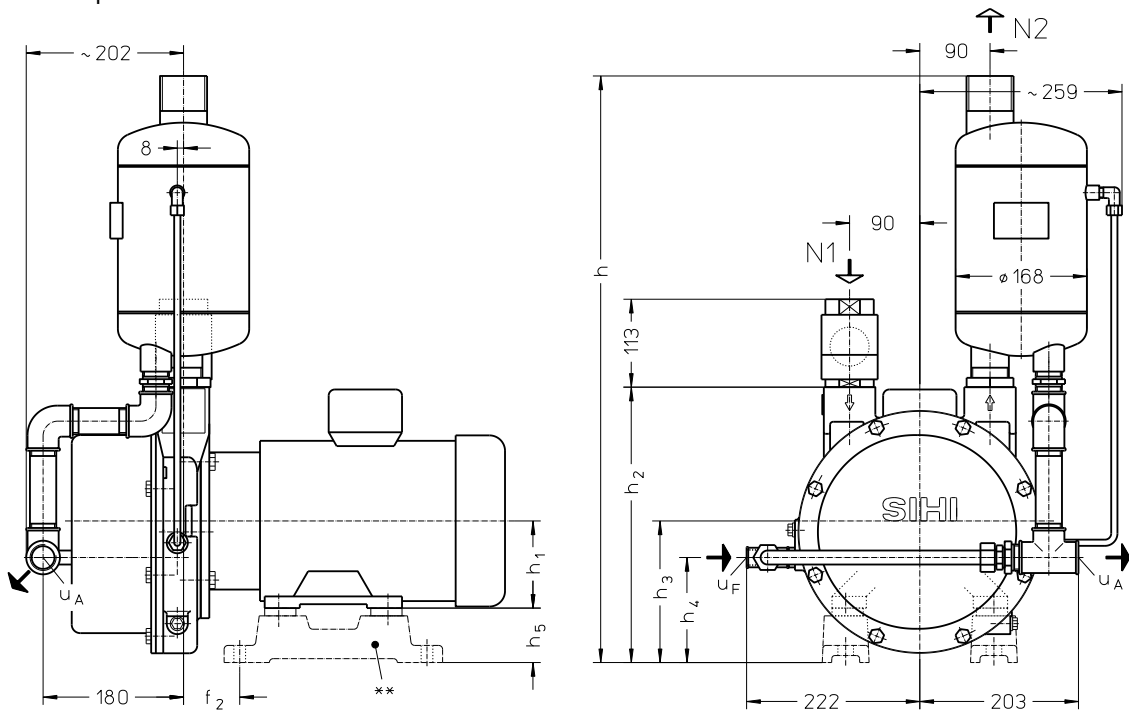


N 1 = gas inlet G 1¼
 N 2 = gas outlet G 1½

U_A = liquid drain G ¾
 U_F = connection for make-up liquid G ¼

	electric motor IP 55		f ₂ [mm]	h [mm]	h ₁ [mm]	h ₂ [mm]	h ₃ [mm]	h ₄ [mm]	approx. weight [kg]	
	size	kW								
LEM 91	100 L	50 Hz	2.2	39	633	100	298	160	127	49
		60 Hz	-							3.3
LEM 126	100 L	50 Hz	3.0	46	645	112	310	172	139	51
	112 M	60 Hz	-							4.5

other motors on request



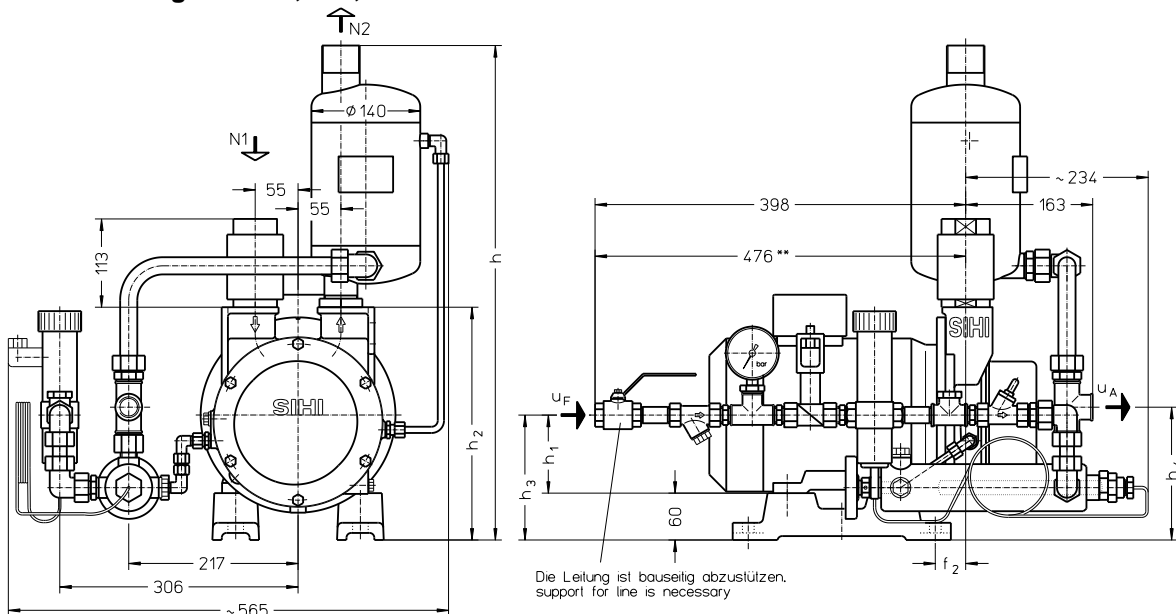
N 1 = gas inlet G 1½
 N 2 = gas outlet G 2

U_A = liquid drain G 1
 U_F = connection for make-up liquid G ½

	electric motor IP 55		f ₂ [mm]	h [mm]	h ₁ [mm]	h ₂ [mm]	h ₃ [mm]	h ₄ [mm]	h ₅ [mm]	approx. weight [kg]	
	size	kW									
LEM 161	112 M	50 Hz	4.0	72	754	112	354	182	135	70	87
	132 M	60 Hz	-								82

other motors on request

Arrangement drawing LEM 91, 126, 161 with thermostatic control

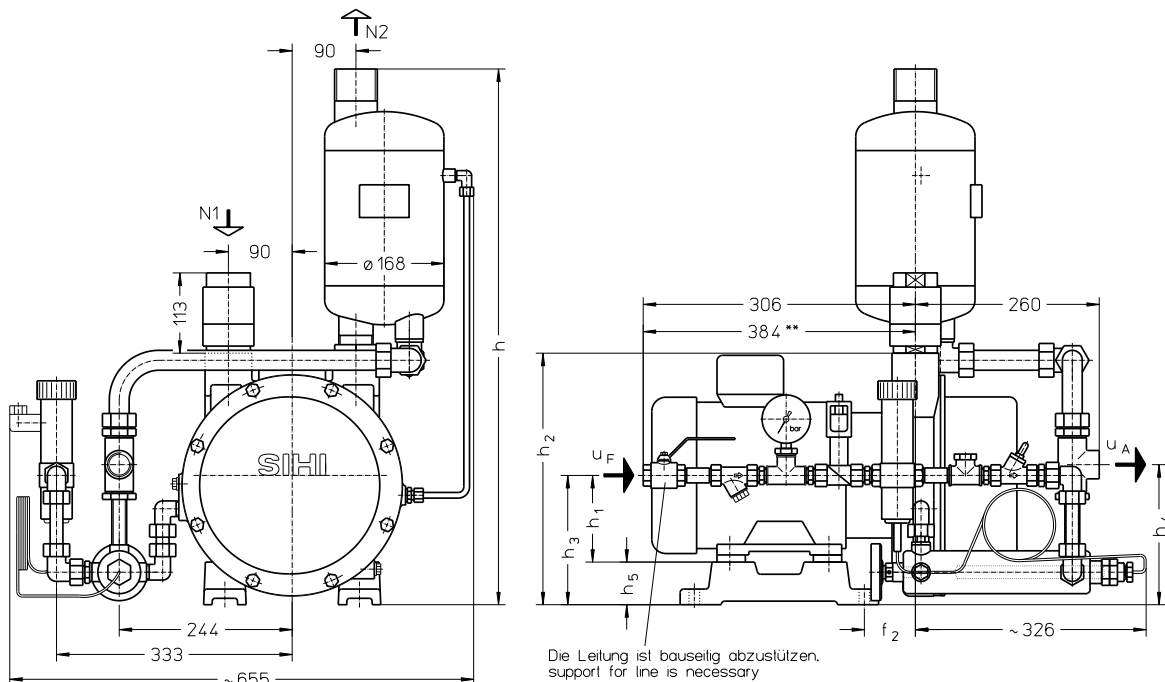


N 1 = gas inlet G 1 ¼
 N 2 = gas outlet G 1 ½

U_A = liquid drain G ¾
 U_F = connection for make-up liquid G ½

	electric motor IP 55		f ₂ [mm]	h [mm]	h ₁ [mm]	h ₂ [mm]	h ₃ [mm]	h ₄ [mm]	approx. weight [kg]	
	size	kW								
LEM 91	100 L	50 Hz	2.2	39	633	100	298	160	170	52
		60 Hz	-							3.3
LEM 126	100 L	50 Hz	3.0	46	645	112	310	172	182	54
	112 M	60 Hz	-							4.5

other motors on request
 ** only at material 1.4571 the line



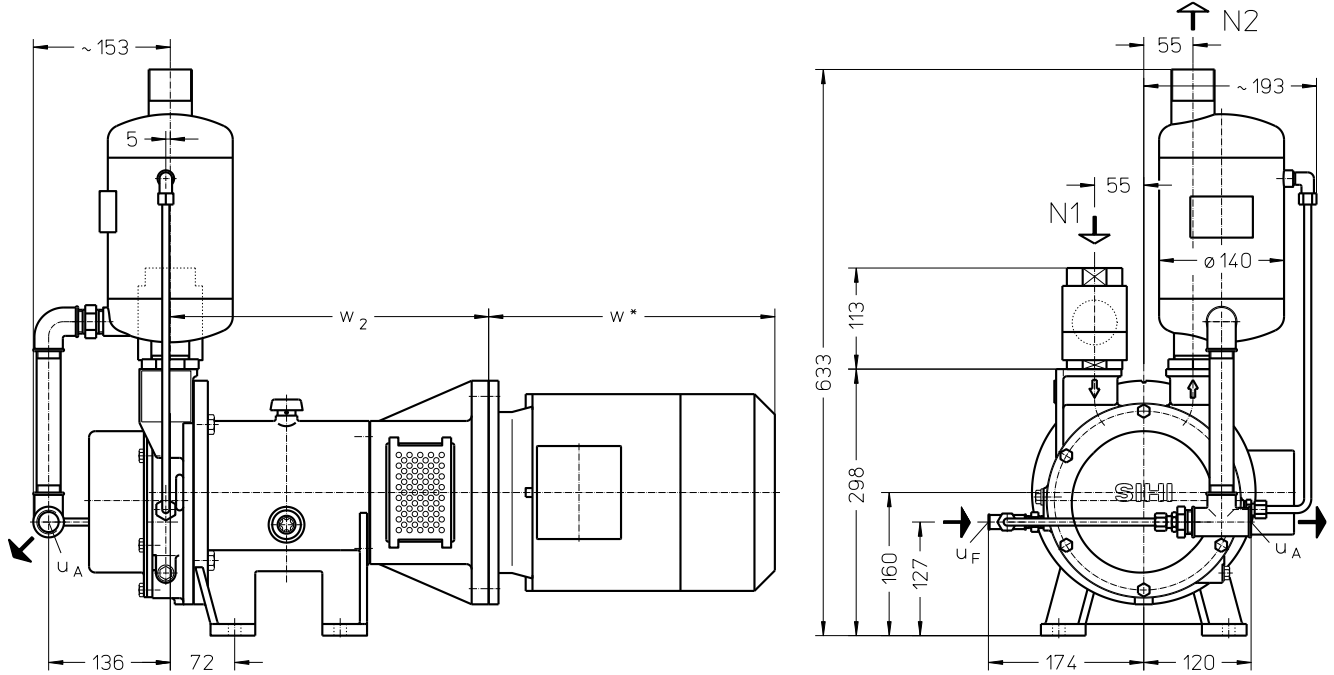
N 1 = gas inlet G 1 ½
 N 2 = gas outlet G 2

U_A = liquid drain G 1
 U_F = connection for make-up liquid G ½

	electric motor IP 55		f ₂ [mm]	h [mm]	h ₁ [mm]	h ₂ [mm]	h ₃ [mm]	h ₄ [mm]	h ₅ [mm]	approx. weight [kg]	
	size	kW									
LEM 161	112 M	50 Hz	4.0	72	754	112	354	182	197	70	92
	132 M	60 Hz	-								6.0

other motors on request
 ** only at material 1.4571 the line

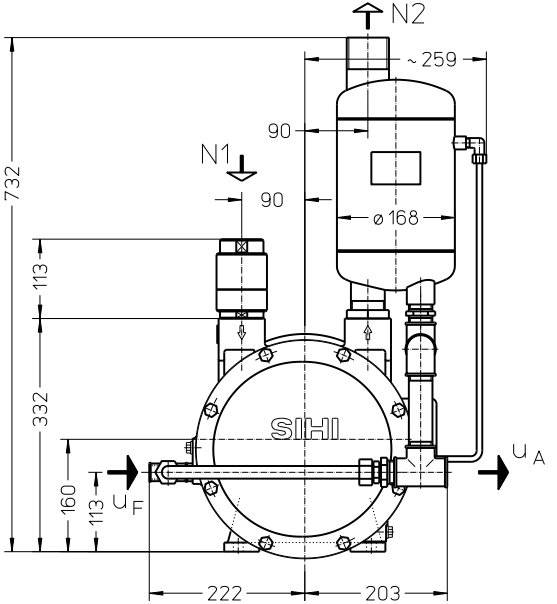
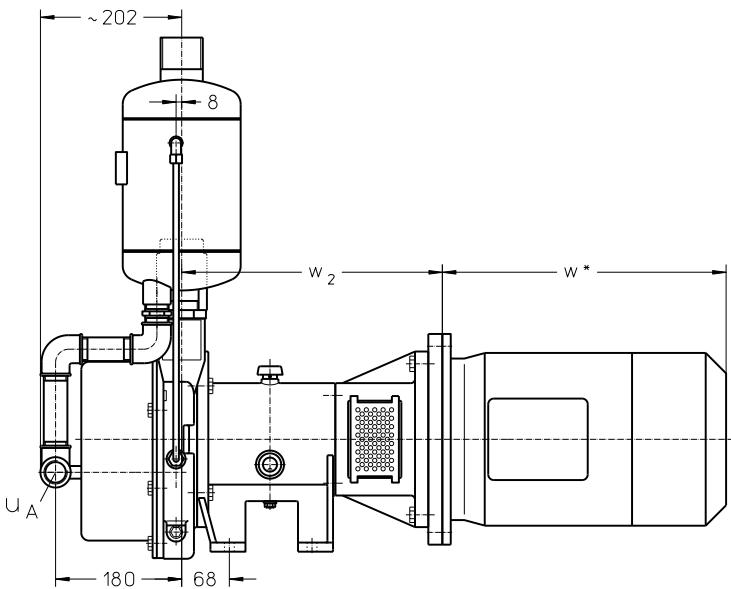
Arrangement drawing LEL 91, 126, 161



	electric motor 50 Hz		w *	w ₂	approx. weight	
	size	kW				
		IP 55	EEx e II T3	[mm]	[mm]	[kg]
LEL 91	90 L	2.2	-	269	370	76
	100 L	-	2.5	303		81
LEL 126	100 L	3.0	-		356	77
	112 M	-	3.3	320		87

other motors on request
 * dimension dependent upon motor supplier

- N 1 = gas inlet G 1½
- N 2 = gas outlet G 1½
- u_A = liquid drain G ¾
- u_F = connection for make-up liquid G ¼



	electric motor 50 Hz		w *	w ₂	approx. weight	
	size	kW				
		IP 55	EEx e II T3	[mm]	[mm]	[kg]
LEL 161	112 M	4.0	-	320	352	104
	132 S	-	5.0	405	372	150

other motors on request
 * dimension dependent upon motor supplier

- N 1 = gas inlet G 1½
- N 2 = gas outlet G 2
- u_A = liquid drain G 1
- u_F = connection for make-up liquid G ½

Data regarding the pump size - order notes

range + size	hydraulic + bearings	shaft seal	materials	casing sealing	*code of motor connection*
	<ul style="list-style-type: none"> A• hydraulic A, 8• with threaded connection •Z two grease lubricated antifriction bearings arranged in the motor •B similar to •Z, but arranged in the motor carrier 	<ul style="list-style-type: none"> AAE standard mechanical seal, o-rings butadiene rubber AA1 similar to AAE, but o-rings Viton 	<ul style="list-style-type: none"> 0K main parts out of cast iron, impeller in low alloyed steel 4B main parts out of stainless steel 	0 liquid seal	<ul style="list-style-type: none"> ES for IMB5 motor 90L flange ø200 FS for IMB5 motor 100L resp. 112M flange ø250 GS for IMB5 motor 132S flange ø300
LEM	<ul style="list-style-type: none"> 91 AZ 126 161 8Z 	AAE, AA1	0K, 4B	0	
LEL	<ul style="list-style-type: none"> 91 AB 126 161 8B 				ES, FS
					FS
					FS, GS

* = only LEL

Motor selection

For our products we offer a lot of different motor types.
To identify the right motor please specify frequency, voltage and protection class.

Example for ordering LEM:

LEM 126 AZ AAE 0K 0 **with** 3.0 kW AC motor 50 Hz, 230 V Δ , IP55

Example for ordering LEL:

LEL 161 8B AAE 0K 0 **for** 4.0 kW AC motor 50 Hz, 230 V Δ , IP55 (motor size 112) has the complete designation:

LEL 161 8B AAE 0K 0 **FS**

Accessories LEM 91, 126, 161; LEL 91, 126, 161 with threaded connection

Recommended Accessory	Material Execution		LEM 91 LEL 91	LEM 126 LEL 126	LEM 161 LEL 161
Top Mounted Liquid Separator		Type / weight	XBa 440 / 5 kg		XBa 640 / 7 kg
Top mounted separator	1.4571	SIHI-Part No.	43 132 178		43 132 179
service liquid pipework, standard execution	1.0254 1.4571	SIHI-Part No.	20 037 865 20 038 838		20 059 452 20 061 181
service liquid pipework, thermostatic control 24V	1.0254 + Brass 1.4571 + Brass	SIHI-Part No.	20 048 243 20 048 244		20 048 245 20 048 246
Cavitation protection pipework	1.0254 1.4571	SIHI-Part No.	20 027 918 20 050 497		20 050 498 20 027 919
Side Mounted Liquid Separator		Type / weight	on request		
Side mounted separator	1.4571	SIHI-Part No.			
service liquid pipework, standard execution	1.0254 1.4571	SIHI-Part No.			
Cavitation protection pipework	1.0254 1.4571	SIHI-Part No.			
Sterling SIHI – Gas Ejector					
at service liquid temperature 15 °C		Type Weight	GEV 91 A 3.6 resp. 3.8 kg	GEV 126 A 3.9 resp. 4.2 kg	GEV 161 A 4.7 resp. 5.0 kg
at service liquid temperature 30 °C		Type Weight	GEV 91 B 3.6 resp. 3.8 kg	GEV 126 B 3.9 resp. 4.2 kg	GEV 161 B 4.7 resp. 5.0 kg
Sterling SIHI – Non Return Ball Valve		Size Weight	G 1 ¼ 1.0 resp. 1.6 kg		G 1 ½ 1.9 kg
	Brass + Butadiene Rubber Brass + Teflon 1.4571 + Teflon	SIHI-Part No.	20 069 579 20 069 525 20 072 819		20 082 115 20 082 117 20 072 820
Support foot					
	only for LEM				
for motor size 100 L, 112 M		SIHI-Part No.	20 047 010	20 047 010	20 047 011
for motor size 132 M			-	-	20 047 012
Motor					
	only for LEL	Size Power Weight	90 L 2.2 kW 19 kg	100 L 3.0 kW 26 kg	112 M 4.0 kW 34 kg
standard execution IP 55					
Coupling for motor IP 55		Type / weight SIHI-Part No.	B 68 / 1.5 kg 43 028 149 43 021 405	B 80 / 1.5 kg 43 021 414 43 021 417	
pump side					
motor side					
Motor					
	only for LEL	Size Power Weight	100 L 2.5 kW 22 kg	112 M 3.3 kW 28 kg	132 S 5.0 kW 65 kg
in EEx e II T3 execution					
Coupling for motor EEx e II T3		Type / weight SIHI-Part No.	BDS 88 / 1.9 kg 43 111 058 43 111 029		BDS 103 / 3.1 kg 43 111 051 43 111 040
pump side					
motor side					

Designs subject to change without prior notice.

Sterling SIHI GmbH

 Lindenstraße 170, D-25524 Itzehoe, Germany
 Telephone +49 (0) 48 21 / 7 71-01, Fax +49 (0) 48 21 / 7 71-274
 www.flowserve-sihi.com