





Bolted Type Angle Seat Disk Holders

Features

- 30° angle seat design
- Designed for use with PB or D Series metal rupture disks.
- Angle seat positions disk between the inlet and outlet holder to ensure proper installation
- Refer to the back of this bulletin for available holder mounting configurations
- Materials of construction: Carbon steel and 304SS or 316SS. Other materials available upon request
- Sizes 1/2" thru 24" diameters
- Compatible with standard ASME B16.5 Class Ratings
- Stainless steel safety designed side clips are standard, allowing for pre-assembly of disk into holder
- Permanently attached stainless steel nameplates are standard. Nameplates indicate flow direction and provide visual verification that holder assembly is properly oriented in the piping system
- Available options include: gauge tap; nipple and tee; excess flow valve; pressure gauge; J-hook; special facings and coatings



Assembly 7A

Size	Burst Pressure psig @ 72°F (22°C)	Standard Lip (SL)	Heavy Duty Lip (HDL)
1/2"	Min-2159		
	2160-Max		
3/4"	Min-2159	●	
	2160-Max		●
1"	Min-2159	●	
	2160-Max		●
1-1/2"	Min-2159	●	
	2160-Max		●
2"	Min-2159	●	
	2160-Max		●
3"	Min-Max	●	NA
4"	Min-Max	●	NA
6"	Min-Max	●	NA
8"	Min-Max	●	NA
10"	Min-Max	●	NA
12"	Min-Max	●	NA

Notes:
NA – Not Available
For larger sizes or sizes not shown, contact ZOOK

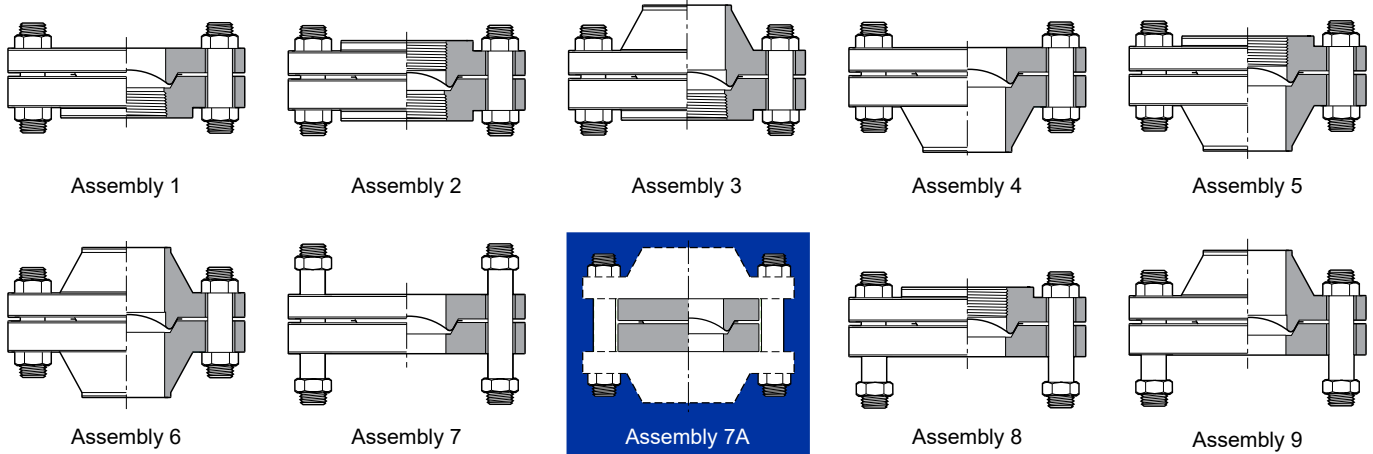


CAUTION
If holder is exposed to elevated temperature during normal operation, contact ZOOK for pressure/temperature ratings for holders and flanges.



Safety through **knowledge** and **performance**.

Bolted Type Specifications



Size	ASME B16.5 Class Flanges	Outside Diameter		Approximate End-To-End Dimensions									
				Assembly Number									
		7A	Others	1	2	3	4	5	6	7	7A	8	9
1/2"	150	1-3/4"	3-1/2"	1-3/8"	1-3/8"	2-5/8"	2-1/2"	2-5/8"	3-7/8"	1-11/16"	1-11/16"	1-3/8"	2-3/4"
	300/600	1-3/4"	3-3/4"	1-7/8"	1-7/8"	2-7/8"	2-3/4"	2-7/8"	4-1/4"	1-11/16"	1-11/16"	1-7/8"	3"
3/4"	150	2-1/8"	3-7/8"	1-7/16"	1-3/8"	2-13/16"	2-11/16"	2-13/16"	4-1/4"	1-3/4"	1-3/4"	1-7/16"	3"
	300/600	2-1/2"	4-5/8"	2-3/16"	2-1/16"	3-3/16"	3-1/8"	3-3/16"	4-5/8"	1-3/4"	1-3/4"	2-3/16"	3-3/16"
1"	150	2-1/2"	4-1/4"	1-1/2"	1-1/2"	3-1/8"	2-7/8"	3-1/8"	4-1/2"	1-3/4"	1-3/4"	1-1/2"	3-1/8"
	300/600	2-3/4"	4-7/8"	2-1/4"	2-1/4"	3-1/2"	3-1/4"	3-1/2"	5"	1-3/4"	1-3/4"	2-1/4"	3-3/8"
1-1/2"	150/	3-1/4"	5"	1-3/4"	1-7/8"	3-1/2"	3-1/4"	3-1/2"	5"	1-3/4"	1-3/4"	1-3/4"	3-1/4"
	300/600	3-5/8"	6-1/8"	2-1/8"	2-1/2"	3-7/8"	3-5/8"	3-7/8"	5-1/2"	1-3/4"	1-3/4"	2-1/8"	3-5/8"
2"	150	4"	6"	1-7/8"	2-1/8"	3-5/8"	3-3/8"	3-5/8"	5-1/8"	1-3/4"	1-3/4"	1-7/8"	3-3/8"
	300/600	4-1/4"	6-1/2"	2-3/4"	2-3/4"	4"	3-3/4"	4"	5-5/8"	1-3/4"	1-3/4"	2-3/8"	3-3/4"
3"	150	5-1/4"	7-1/2"	2-1/8"	2-1/2"	4-1/8"	3-7/8"	4-1/8"	5-3/8"	1-3/4"	1-3/4"	2-1/8"	3-5/8"
	300/600	5-3/4"	8-1/4"	3-1/8"	3-1/2"	4-5/8"	4-3/8"	4-5/8"	6-3/8"	1-3/4"	1-3/4"	3-1/8"	4-3/8"
4"	150	6-3/4"	9"	2-3/8"	2-3/4"	4-1/2"	4-1/8"	4-1/2"	6-1/8"	1-3/4"	1-3/4"	2-3/8"	3-7/8"
	300	7"	10"	3-1/4"	3-7/8"	5"	4-3/4"	5"	6-7/8"	1-3/4"	1-3/4"	3-1/4"	4-1/2"
6"	150	8-5/8"	11"	-	-	-	4-5/8"	-	7-1/8"	2-1/4"	2-1/4"	-	4-1/2"
	300	9-3/4"	12-1/2"	-	-	-	5-1/2"	-	7-7/8"	2-1/4"	2-1/4"	-	5"
8"	150	10-7/8"	13-1/2"	-	-	-	5-1/4"	-	8-1/8"	2-1/2"	2-1/2"	-	5-1/8"
	300	12"	15"	-	-	-	5-5/8"	-	8-7/8"	2-1/2"	2-1/2"	-	5-1/2"
10"	150	13-1/4"	16"	-	-	-	5-3/8"	-	8-1/8"	2-1/2"	2-1/2"	-	5-1/8"
	300	14-1/8"	17-1/2"	-	-	-	6-3/8"	-	9-3/8"	2-1/2"	2-1/2"	-	5-1/2"
12"	150	16"	19"	-	-	-	5-7/8"	-	9-1/8"	2-9/16"	2-9/16"	-	5-5/8"
	300	16-1/2"	20-1/2"	-	-	-	7-1/4"	-	10-3/8"	2-9/16"	2-9/16"	-	6-1/4"
14"	150	17-5/8"	21"	-	-	-	6-1/2"	-	10-1/4"	3"	3"	-	6-1/8"
	150	20-1/8"	23-1/2"	-	-	-	6-5/8"	-	10-1/4"	3"	3"	-	6-1/8"
18"	150	21-1/2"	25"	-	-	-	7-1/4"	-	11-1/4"	3-3/16"	3-3/16"	-	6-5/8"
	150	23-3/4"	27-1/2"	-	-	-	7-1/2"	-	11-5/8"	3-7/32"	3-7/32"	-	6-7/8"
24"	150	28-1/8"	32"	-	-	-	8"	-	12-1/4"	3-11/32"	3-11/32"	-	7-1/8"

Note: For larger sizes or sizes not shown, contact ZOOK.



Bolted-Type_012018

Visit us at www.zookdisk.com

SERVING AMERICA, CENTRAL & SOUTH AMERICA

16809 Park Circle Drive
Chagrin Falls, Ohio 44022
United States

Toll Free: +1 800 543 1043
Phone: +1 440 543 1010
Fax: +1 440 543 4930
E-mail: sales@zookdisk.com

SERVING EUROPE, MIDDLE EAST & AFRICA

Navigation House, Bridge St.
Killamarsh, Sheffield, S21 1AL
United Kingdom

Phone: +44 (0) 1909 560999
Fax: +44 (0) 1909 560860
E-mail: sales.europe@zookdisk.com

SERVING CANADA

4400 South Service Road
Burlington, Ontario, L7L 5R8
Canada

Toll Free: +1 800 370 6057
Phone: +1 905 681 2885
Fax: +1 905 681 8838
E-mail: sales.canada@zookdisk.com

SERVING ASIA PACIFIC

Unit No. 23A-05, Menara Landmark
No.12, Jalan Ngee Heng
80000 Johor Bahru, Johor,
Malaysia

Phone: +60 (7) 2910099
Fax: +60 (7) 2910096
E-mail: sales.asia@zookdisk.com



Safety through knowledge and performance.