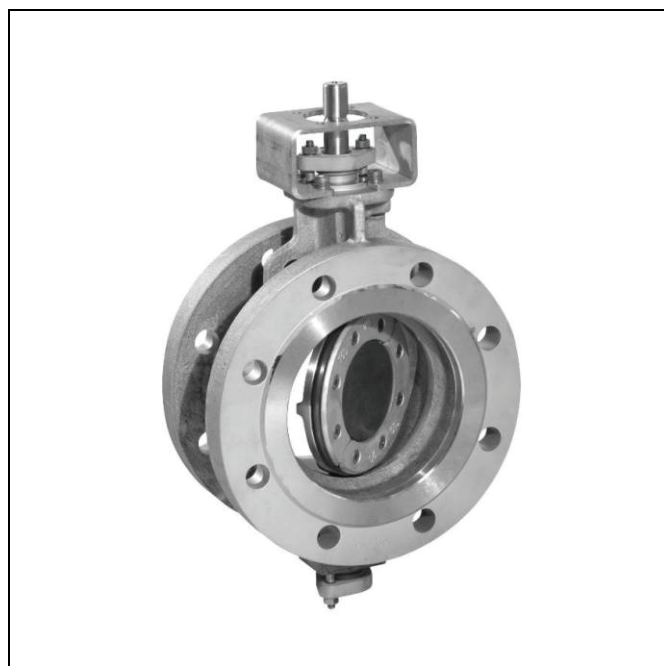


### PRODUCT DATA

General Description	<b>BUTTERFLY VALVE</b> - High Performance double excentric
Design Code	EN 593
Size Range	DN 50 - 900, NPS 2" - 36"
Maximum Pressure	20 bar



### DESIGN

Body	Double flanged type
End Connection	EN 1092 PN 10, 16 ASME B16.5 cl. 150 / B16.47 cl. 150 MSS SP 44 cl. 150
Face to Face	EN558-1/2 Series 13
Disc Seat	Replaceable
Shaft Seal Design	Stuffing box
Driving Shaft	With indicator for position of the disc
Special Design Options	-

### TESTING PROCEDURES

Shell strength test	EN 12266-1, P10 DIN 3230, Part 3 API 598
Shell tightness test	EN 12266-1, P11 API 598
Seat tightness test	EN 12266-1, P12, Rate A/B ISO 5208, Rate A/B API 598
Operability test	EN 12266-2, F20 DIN 3230, Part 3 API 598

### FUNCTIONAL CHARACTERISTICS

Application	On/off
Design pressure PS	Maximum 20 bar
Design temp. TS	-40°C (-40°F) to +250 °C (482 °F), higher on request
Flow velocity	5 m/s for liquids, 50 m/s for gases
Seat tightness rate	Bi-directional - ISO 5208 rate A (soft seated) Uni-directional - ISO 5208 rate B (metal seated)

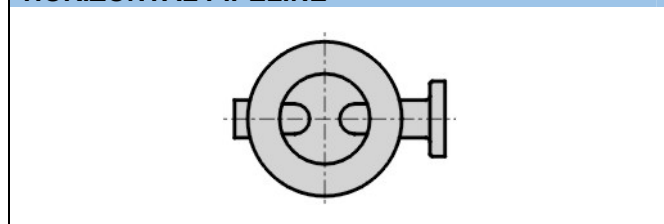
### OPTIONS

Anti Static Design	In accordance with EN 736/3 and API 609
--------------------	---

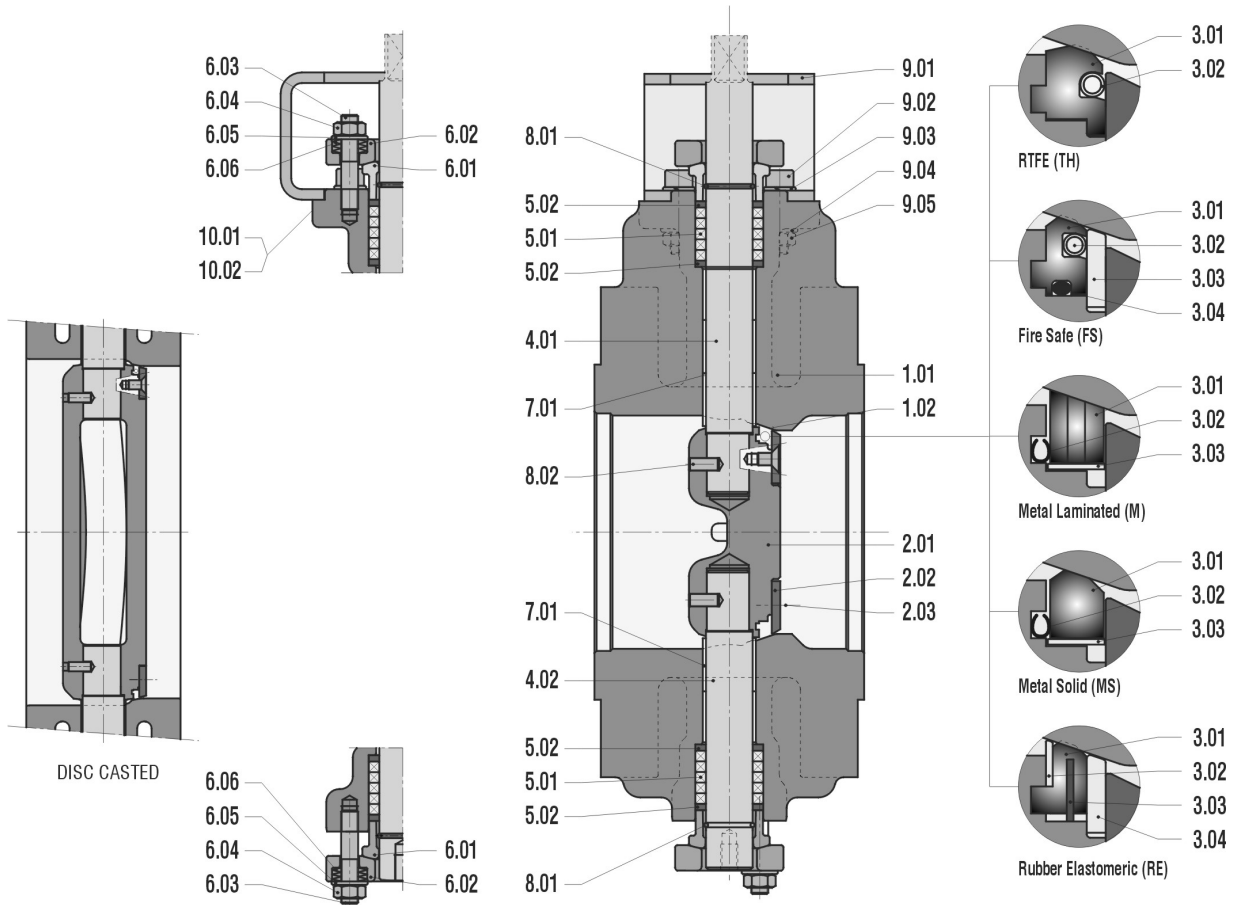
### MARKING & CERTIFICATION

Marking	EN 19, MSS SP 25
Certification	EN 10204 - 2.2, 3.1, 3.2
PED	Categorie III

### PREFERRED POSITION WHEN INSTALLED IN HORIZONTAL PIPELINE



**PARTS LIST – DYNAXE F131 – 50-900 (2"-36")**



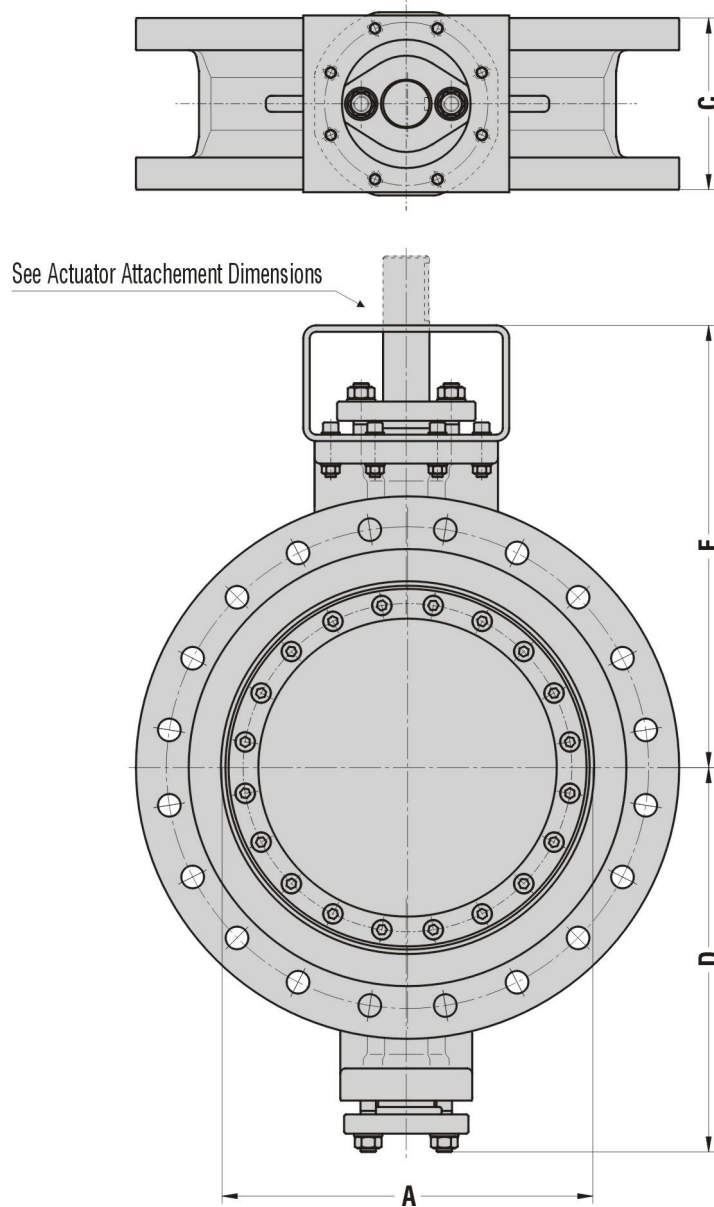
ITEM	DESCRIPTION	MATERIAL <sup>(1)</sup>	EN/DIN	COMPARABLE ASTM
1.01	Body	Austenitic SS Carbon Steel	1.4408, EN 10213 1.06019, EN 10213	A 351, CF8M A 216, WCB
1.02	Body seat	Stainless steel Stellite	1.4370	-
2.01	Disc	Austenitic SS <sup>(2)</sup> Carbon Steel <sup>(3)</sup>	1.4401, EN 10088 1.0460, EN 10273	A 182, F316 A 105 N
2.02	Retaining ring	Austenitic SS	1.4401, EN 10088	A 182, F316
2.03	Screw	Stainless Steel – A4/70		
3.01	Disc seat ring (TH)	RTFE 15-12-3	-	-
3.02	Helix coil	Austenitic SS	1.4401, EN 10088	A 182, F316
4.01	Upper shaft	Austenitic SS Martensitic SS	1.3964 1.4021, EN 10088	A 479, XM-19 A 276, 420
4.02	Lower shaft	See ITEM 4.01	See ITEM 4.01	See ITEM 4.01
5.01	Packing ring	Graphite (>99.85%)		
5.02	Taper ring	Austenitic SS	1.4401, EN 10088	A 182, F316
6.01	Packing gland	Austenitic SS	1.4408, EN 10213	A 351, CF8M
6.02	Gland flange	Austenitic SS	1.4408, EN 10213	A 351, CF8M
6.03	Stud bolt	Stainless Steel – A4/70		
6.04	Hex. nut	Stainless Steel – A4/70		
6.05	Washer	Stainless Steel – A4		
6.06	Beveled washer	Stainless Steel		
7.01	Sliding bearing	Austenitic SS / coated	1.4401, EN 10088	A 182, F316
8.01	Snap ring	Stainless Steel	1.4310	
8.02	Set screw	Stainless Steel – A4/70		
9.01	Bracket	Austenitic SS	1.4401, EN 10088	A 182, F316
9.02	Screw	Stainless Steel – A4/70		
9.03	Washer	Stainless Steel – A4		
9.04	Spring lock washer	Stainless Steel – A4		
9.05	Hex. nut	Stainless Steel – A4/70		
10.01	Marking plate	Austenitic SS	1.4401, EN 10088	A 182, F316
10.02	Blind rivet	Stainless Steel – A4		

<sup>(1)</sup> Other materials like Duplex, 6Mo, Titanium, on request

<sup>(2)</sup> forged ≤ DN 200, casted ≥ DN 250, material 1.4408, EN 10213 (A 351, CF8M)

<sup>(3)</sup> forged ≤ DN 200, casted ≥ DN 250, material 1.0619, EN 10213 (A 216, WCB)

**DIMENSIONS – DYNAXE F131 – 50-900 (2"-36")**



DN	NPS	A	C	D	E	MASS ±kg		DN	NPS	A	C	D	E	MASS ±kg
50	2"	58	108	139	197			350	14"	327	190	358	427	
65	2½"	58	112	139	197			400	16"	379	216	384	453	
80	3"	71	114	146	202			450	18"	428	222	493	525	
100	4"	96	127	170	216			500	20"	480	229	519	551	
125	5"	120	140	182	228			600	24"	571	267	598	688	
150	6"	150	140	196	247			700	28"	676	292	648	738	
200	8"	197	152	240	301			750	30"	726	(*) 318	719	812	
250	10"	250	165	279	334			800	32"	776	318	744	837	
300	12"	301	178	311	359			900	36"	876	330	794	887	

(\*) Manufacturers standard