

# Immersion heater

Spare heater for accumulator tank

AT 8526LK

## Internet variants

<b>Dimension range</b> Effect 3,0-10 kW	<b>Temperature range</b> -10 °C to 125 °C	<b>Material</b> Incoloy 825
--------------------------------------------	----------------------------------------------	--------------------------------

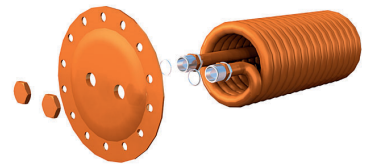
## Range of application

Power cartridge for reserve heating of heating water/tap water to accumulator-tanks.

## AMA-text

### PLD.21 Power cartridge

Power cartridge AT 8526EL.... with effect... KW for reserve heating of tap water/ heating water in the accumulator-tank. Including thermostat and overheat protection. The electric cartridge is manufactured in Incoloy 825 with brass nuts.



AT 8526LK

## Quality assurance

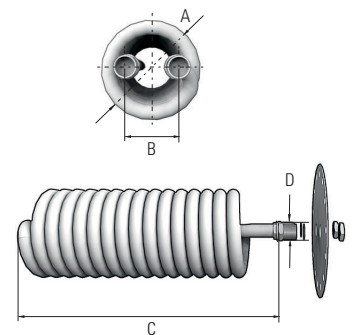
The power cartridges are in accordance with EC Directives 2006/95/EC Electrical equipment designed for use in limited voltage range and EMC Directives 2004/108/EC Electromagnetic Compatibility according to EN6335-1.

## Material specification

1	Reset button
2	Lid
3	Coupling box
4	Control controls
5	Power cartridge

## Dimension and weight

AT-no	Length mm	Weight kg
8526EL3KW	260	0,8
8526EL4KW	390	1,0
8526EL6KW	420	1,05
8526EL7KW	640	1,3
8526EL9KW	760	1,55
8526EL10KW	680	1,45



## Function and design

The power cartridge consists of a 2-pole thermostat and a 3-pole overheat protection. Max 10,000 W, 3-phase 400 V. Connection box S7 including thermostat and overheat protection. Connection terminal and internal wiring (100 mm, 150 mm or 200 mm) 100 mm as standard. For connection diagram, see the operating instructions.

## Dimensioning

Contact Armatec

# Immersion heater

Spare heater for accumulator tank

AT 8526LK

## Installation

The power cartridge is mounted together with the connection box. Check thread size and insertion length, use thread sealing if necessary. The electric cartridge can be oriented in all directions in the tank but must be completely covered by fluid before power is switched on. For detailed assembly and installation instructions, see the operating instructions.

## Maintenance and spare parts

The product is maintenance free.

## How to order

Effect (kW)	Fits tanks with volume (liter)	AT-no
3,0	300-4000	8526EL3KW
4,5	300-4000	8526EL4KW
6,0	300-4000	8526EL6KW
7,5	500-4000	8526EL7KW
9,0	750-4000	8526EL9KW
10,0	1000-4000	8526EL10KW