

AT8060/8032/8042/8072


Toppavluftare



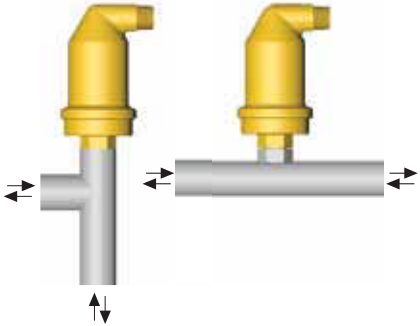






 0- ... bar


 0- ... °C


 Acc.PED (97/23/EC§3.3)






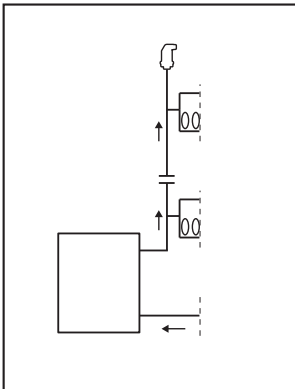
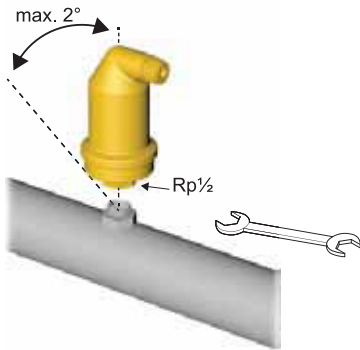





 H₂O




 < 50% glycol






 0 bar

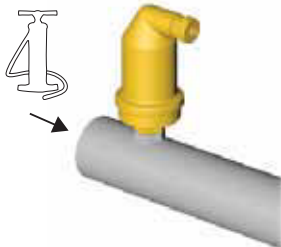
 max. 2°


 Rp $\frac{1}{2}$




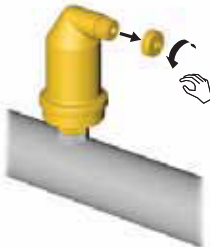
 0 bar






 P_{max} = 1,5 x ... bar







 0 bar

AT8060/8032/8042/8072

Toppavluftare



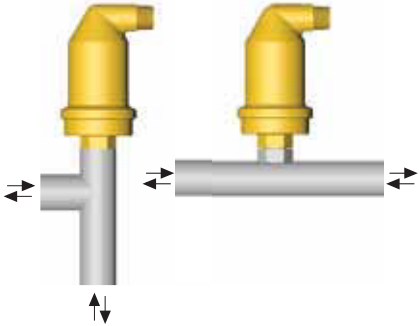






 0- ... bar


 0- ... °C


 Acc.PED (97/23/EC§3.3)






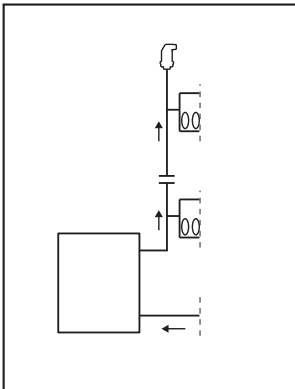
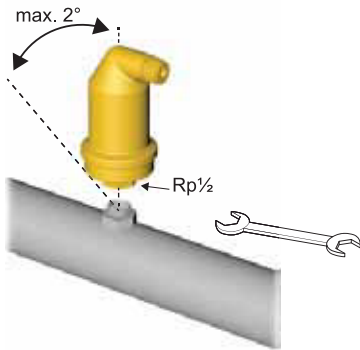





 H₂O




 < 50% glycol






 0 bar

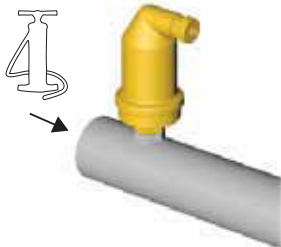
 max. 2°


 Rp $\frac{1}{2}$

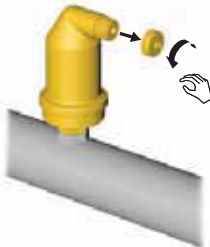



 0 bar





 P_{max} = 1,5 x ... bar




 0 bar

AT8060/8032/8042/8072

Toppavluftare



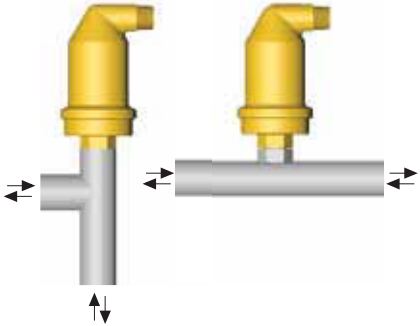






 0- ... bar


 0- ... °C


 Acc.PED (97/23/EC§3.3)






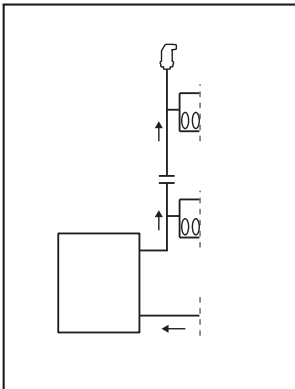
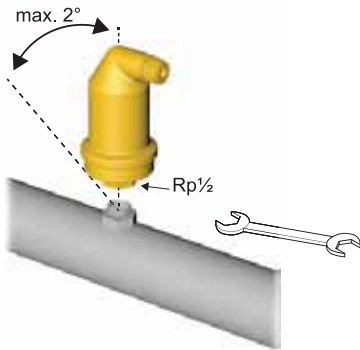





 H₂O




 < 50% glycol






 0 bar

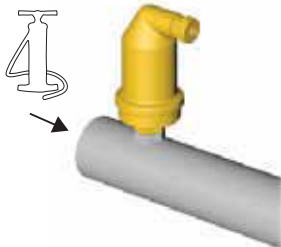
 max. 2°


 Rp $\frac{1}{2}$

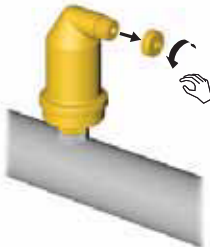



 0 bar





 P_{max} = 1,5 x ... bar



 0 bar

AT8060/8032/8042/8072

Toppavluftare

